

World-volume Effective Actions of Exotic Five-branes

Tetsuji KIMURA ^a, Shin SASAKI ^b and Masaya YATA ^c

a Department of Physics, Tokyo Institute of Technology
Tokyo 152-8551, JAPAN
tetsuji_at_th.phys.titech.ac.jp

b Department of Physics, Kitasato University
Sagamihara 252-0373, JAPAN
shin-s_at_kitasato-u.ac.jp

c KEK Theory Center, Institute of Particle and Nuclear Studies,
High Energy Accelerator Research Organization (KEK)
Tsukuba, Ibaraki 305-0801, JAPAN
yata_at_post.kek.jp

ABSTRACT:

We construct world-volume effective actions of exotic 5_2^2 -branes in type IIA and IIB string theories. The effective actions are given in fully space-time covariant forms with two Killing vectors associated with background isometries. The effective theories are governed by the six-dimensional $\mathcal{N} = (2, 0)$ tensor multiplet and $\mathcal{N} = (1, 1)$ vector multiplet, respectively. Performing the S-duality transformation to the 5_2^2 -brane effective action in type IIB string theory, we also work out the world-volume action of the 5_3^2 -brane. We discuss some additional issues relevant to the exotic five-branes in type I and heterotic string theories.

1 Introduction

D-branes are key ingredients to understand the whole picture of string theories. It is known that the D-branes play a part in non-perturbative effects of string and gauge theories and have been studied extensively. D-branes are dynamical objects and have its geometrical origin in supergravity theories. There are other various extended objects in string theories, such as Kaluza-Klein (KK) monopoles and NS5-branes. They are also geometrical objects in supergravity theories. The meaning of “geometrical” is that corresponding solutions in supergravity are single-valued in space-time. The D-branes, KK-monopoles and NS5-branes are sources of the R-R, KK vector and NS-NS fluxes. Physical properties of these objects have been studied from various viewpoints.

On the other hand, other types of less known extended objects, which are called *exotic branes* (also known as Q-, and R-branes) [1, 2, 3], are beginning to attract attention. The exotic branes are obtained by U-duality transformations of the geometric branes [4, 5]. It has been pointed out that the exotic branes play an important role in the study of the blackhole microstates and the polarization of D-branes [2, 6, 7]. Similar to the fact that the geometric branes are sources of the ordinary supergravity fluxes, the exotic branes are sources of *non-geometric fluxes* [8, 3]. The non-geometric fluxes are discussed extensively in the context of flux compactifications [9, 10]. The group theoretical classification of the exotic branes have been studied in the past. However, only the limited physical properties of the exotic branes are known. There are studies on the exotic branes from the framework of supergravity [4, 5, 11, 2, 12, 13, 14, 7], string world-sheet theories [15, 16, 17], double field theory [18, 19, 20, 21, 22, 23, 24] and so on. Among other things, the world-volume effective theory [1, 25] is the most direct approach to study the dynamics of the exotic branes.

The purpose of this paper is to construct world-volume effective actions of the exotic five-branes in type IIA and IIB string theories. We focus on the exotic 5_2^2 -branes and 5_3^2 -branes that are obtained from the NS5-branes via T- and S-dualities [7]. Compared with the preceding work [25], where the effective actions of the type IIB 5_2^2 -brane and the 5_3^2 -brane are studied, the actions in this paper will be written in the fully space-time covariant forms. In the actions, two Killing vectors associated with the two isometries of the backgrounds are manifest. We also explicitly write down the effective action of the type IIA 5_2^2 -brane in a manifestly Lorentz invariant manner. After the gauge fixing, the massless fields of the world-volume theories are organized into the $\mathcal{N} = (2, 0)$ tensor multiplet (IIA) and the $\mathcal{N} = (1, 1)$ vector multiplet (IIB) in six dimensions. In the pioneered work [1], the world-volume effective actions of the exotic 6_3^1 -brane and seven-branes are studied where the geometric part of the actions are written as gauged sigma models when the NS-NS B -field is turned off. A specific property of the effective actions of the five-branes in this paper is its dependence on the two Killing vectors k_1^μ, k_2^μ . We will see that the actions are not written as gauged sigma models when all the closed string backgrounds are involved.

We also discuss some properties of exotic five-branes in type I and heterotic string theories. The

orientifold projection of type IIB theory and duality chains indicate that exotic five-branes appear also in type I and heterotic theories. To make contact with the exotic branes in these theories, we analyze the effective actions of the 5_3^2 -brane and 5_2^2 -brane in type I and heterotic theories.

The organization of this paper is as follows. In Section 2, we review the basic properties of the exotic 5_2^2 -brane in string theories. We also demonstrate the string duality chains on various five-branes. In Section 3, we explicitly write down the world-volume effective actions of the exotic 5_2^2 -brane and 5_3^2 -brane in IIB string theory. We also find the effective action of the 5_2^2 -brane in type IIA theory. The gauge symmetries of the effective theories are discussed. In Section 4, we discuss exotic five-branes in type I and $SO(32)$, $E_8 \times E_8$ heterotic string theories. The Abelian part of the effective actions of the 5_3^2 -brane in type I and the 5_2^2 -brane in $SO(32)$, $E_8 \times E_8$ heterotic string theories are proposed. Section 5 is devoted to the conclusion and discussions. Conventions and notations of the supergravity theories in this paper are found in Appendix A. In Appendix B, the covariant T-duality transformation rules for the NS-NS and R-R sectors are summarized. The explicit representations of the second T-duality transformation of the NS-NS B -field and R-R potentials are given also in Appendix B.

2 Exotic five-branes and string duality chains

In this section we exhibit the exotic five-branes in string theories. In the first subsection, we briefly review the configuration of the single 5_2^2 -brane. This is obtained via the T-duality transformations of the configurations of NS5-branes. In the second subsection, we demonstrate the string duality chains on various five-branes.

2.1 Configuration of exotic 5_2^2 -brane

We begin with multi-centered H-monopoles in ten-dimensional supergravity theories. This is a smeared solution of multi-centered NS5-branes along the x^9 -direction. The configuration of the multi-centered H-monopoles is^{1 2}

$$\begin{aligned} ds_{\text{H}}^2 &= dx_{012345}^2 + H(\vec{r})((d\vec{r})^2 + (dx^9)^2), \quad \vec{r} \in \mathbb{R}_{678}^3, \quad x^9 = R_9 \vartheta, \\ H(\vec{r}) &= 1 + \sum_p H_p, \quad H_p = \frac{\alpha'}{2R_9 |\vec{r} - \vec{r}_p|}, \\ e^{2\phi} &= H(\vec{r}), \quad H_{mnp} = \varepsilon_{mnp}{}^q \partial_q \log H(\vec{r}). \end{aligned} \tag{2.1}$$

Here the H-monopoles are expanded along the 012345-directions. The vector \vec{r}_p denotes the position of the p -th H-monopole in the 678-directions. The space-time metric $g_{\mu\nu}$, the dilaton ϕ and the field

¹We follow the conventions employed in [26].

²The H-monopole geometry presented in this section corresponds to the neutral solution in heterotic supergravity. There are other five-brane solutions known as the gauge and the symmetric solutions [27].

strength H_{mnp} of the NS-NS B -field are given by a harmonic function $H(\vec{r})$. The indices m, n, p, q run from 6 to 9. Since the harmonic function does not depend on x^9 , there is an isometry along this direction. We assume that the x^9 -direction is compactified on a circle of radius R_9 .

We perform a T-duality transformation along the x^9 -direction. Following the Buscher rule [28], we transform the above description to

$$\begin{aligned} ds_{\text{KKM}}^2 &= dx_{012345}^2 + H(\vec{r}) dx_{678}^2 + \frac{1}{H(\vec{r})} (d\tilde{x}^9 + \omega)^2, \quad \vec{r} \in \mathbb{R}_{678}^3, \\ H(\vec{r}) &= 1 + \sum_p H_p, \quad H_p = \frac{\tilde{R}_9}{2|\vec{r} - \vec{r}_p|}, \quad \tilde{x}^9 = \tilde{R}_9 \tilde{\vartheta}, \quad \tilde{R}_9 = \frac{\alpha'}{R_9}, \\ d\omega &= *_3 dH, \quad e^{2\phi} = 1, \quad B = \beta d\left[\frac{1}{H}(d\tilde{x}^9 + \omega)\right], \end{aligned} \quad (2.2)$$

where β is a constant. This is the configuration of multi-centered KK-monopoles (KK5-branes). The 9-th coordinate x^9 is transformed to \tilde{x}^9 . This direction is a compact circle of radius \tilde{R}_9 . Here the dilaton and the NS-NS B -field are trivial up to total derivatives. Instead, the KK-vector ω is involved in the space-time metric. The relation between the KK-vector ω and the harmonic function $H(\vec{r})$ is given as a monopole equation. Indeed the transverse space of the multi-centered KK-monopoles is given as a multi-centered Taub-NUT space.

There are no more directions with isometry in the configuration of the KK-monopoles (2.2). However, if an infinite number of KK-monopoles are arrayed along the x^8 -th direction, we can see a shift symmetry along it. Under this setup, the configuration (2.2) has an additional isometry along the x^8 -direction. Compactifying the x^8 -direction with radius R_8 and performing a T-duality transformation along it, we obtain the dual coordinate \tilde{x}^8 of radius $\tilde{R}_8 = \alpha'/R_8$ and the following configuration:

$$\begin{aligned} ds_{5_2^2}^2 &= dx_{012345}^2 + H (d\varrho^2 + \varrho^2 (d\vartheta_\varrho)^2) + \frac{H}{K} ((d\tilde{x}^8)^2 + (d\tilde{x}^9)^2), \\ e^{2\phi} &= \frac{H}{K}, \quad B = -\frac{\sigma'' \vartheta_\varrho}{K} d\tilde{x}^8 \wedge d\tilde{x}^9, \quad B^{(8,2)} = -\frac{K}{H} dx^0 \wedge dx^1 \wedge \cdots \wedge dx^5, \\ H &= \sigma'' \log \frac{\mu''}{\varrho} = h_0 + \sigma'' \log \frac{\mu_0}{\varrho}, \quad K = H^2 + (\sigma'' \vartheta_\varrho)^2, \quad \sigma'' = \frac{\tilde{R}_8 \tilde{R}_9}{2\pi\alpha'}. \end{aligned} \quad (2.3)$$

This is the background geometry of the exotic 5_2^2 -brane expanded along the 012345-directions. The transverse space is locally described as $\mathbb{R}^2 \times T^2$ whose coordinates are expressed in terms of $\{\varrho, \vartheta_\varrho; \tilde{x}^8, \tilde{x}^9\}$. $B^{(8,2)}$ is a six-form whose transverse space has two isometries. We use the notation $B^{(8,2)}$ instead of $B^{(6)}$ to denote the Hodge dual of the T-dualized B -field. This is natural since the 5_2^2 -brane couples to $B^{(6)}$ which is T-duality transformed along two isometries. $B^{(8,2)}$ is also called the mixed-symmetry tensor [29, 12]. In this configuration, the space-time metric, the dilaton, and the NS-NS B -field are described by not only the harmonic function H but also the angular coordinate ϑ_ϱ . The harmonic function diverges in the IR region. This implies that asymptotic description of the single 5_2^2 -brane is not well-defined. Furthermore, caused by the dependence of

the angular coordinate, the space-time metric, the dilaton field, and the NS-NS B -field are no longer single-valued. Due to the multi-valuedness of the solution, there is a non-trivial monodromy around the 5_2^2 -brane. The monodromy characterizes a kind of conserved charge (Page charge) of the brane [7].

2.2 String duality chains on five-branes

In this subsection we demonstrate the string duality chains on various five-branes. We begin with the following M-theory branes: an M5-brane, a KK6-brane, and a 5^3 -brane. They are related to five-branes in string theories. The former two are standard branes, whilst the latter one is an exotic object [2]. Their tensions are evaluated in terms of the Planck length ℓ_p in eleven dimensions and radii of compact circles:

$$\begin{aligned}
\text{M5}(12345) &: M = \frac{1}{\ell_p^6}, \\
5^3(12345, 89_{\natural}) &: M = \frac{(R_8 R_9 R_{\natural})^2}{\ell_p^{12}}, \\
\text{KK6}(12345_{\natural}, 9) &: M = \frac{(R_9)^2}{\ell_p^9}.
\end{aligned} \tag{2.4}$$

We followed the conventions for branes employed in [7]. The parameter R_{\natural} in the mass of the 5^3 -brane is the radius of M-theory circle. The transverse directions of the M5-brane is a topologically flat five-dimensional space, while the transverse space of the 5^3 -brane has three isometry directions. The transverse four-directions of the KK6-brane is the Taub-NUT space. All of the above branes are coupled to the six-form potentials, the dual of the three-form potential, in M-theory.

In type IIA string theory, we focus on the following five-branes and six-branes³:

$$\begin{aligned}
\text{NS5}(12345) &: M = \frac{1}{g_{\text{st}}^2 \ell_{\text{st}}^6}, \\
\text{KK5}(12345, 9) &: M = \frac{(R_9)^2}{g_{\text{st}}^2 \ell_{\text{st}}^8}, \\
5_2^2(12345, 89) &: M = \frac{(R_8 R_9)^2}{g_{\text{st}}^2 \ell_{\text{st}}^{10}}, \\
6_3^1(123458, 9) &: M = \frac{(R_9)^2}{g_{\text{st}}^3 \ell_{\text{st}}^{11}}.
\end{aligned} \tag{2.5}$$

Here the eleven-dimensional Planck length ℓ_p is described by the string coupling constant g_{st} and the string length $\ell_{\text{st}} = \sqrt{\alpha'}$ in such a way as $\ell_p = g_{\text{st}} \ell_{\text{st}}^3$, where α' is the Regge-slope parameter. The parameter R_9 in the mass of the KK5-brane is the radius of the Taub-NUT circle. The radius of the M-theory circle R_{\natural} is also given as $R_{\natural} = g_{\text{st}} \ell_{\text{st}}$. The NS5-brane and the KK5-brane are obtained

³Here we do not consider the D6-brane because this is not directly related to exotic five-branes in this work.

by the dimensional reduction of one direction transverse to the M5-brane and longitudinal to the KK6-brane, respectively. We find the 5_2^2 -brane by the dimensional reduction of the 5^3 -brane along the direction of the M-theory circle. The 6_3^1 -brane can be found by the dimensional reduction of the KK6-brane along a transverse direction in \mathbb{R}^3 of the Taub-NUT space. We remark that the NS5-brane, the KK5-brane, and the 5_2^2 -brane are coupled to the NS-NS six-form potentials, which are dual to the NS-NS two-form potential, while the 6_3^1 -brane is coupled to a R-R seven-form potential as a mixed-symmetry tensor.

We move to type IIB string theory from type IIA string theory. The above branes (2.5) in type IIA theory are transformed to the other branes under the following string duality transformation rules:

$$\begin{aligned} T_i : \quad R_i &\rightarrow \frac{\ell_{\text{st}}^2}{R_i}, & g_{\text{st}} &\rightarrow \frac{\ell_{\text{st}}}{R_i} g_{\text{st}}, \\ S : \quad g_{\text{st}} &\rightarrow g_{\text{st}}^{-1}, & \ell_{\text{st}} &\rightarrow g_{\text{st}}^{1/2} \ell_{\text{st}}. \end{aligned} \tag{2.6}$$

Here T_i denotes the T-duality transformation along the i -th direction and S is the S-duality transformation. The list of five-branes in type IIB string theory is as follows:

$$\begin{aligned} \text{D5}(12345) : \quad M &= \frac{1}{g_{\text{st}} \ell_{\text{st}}^6}, \\ \text{NS5}(12345) : \quad M &= \frac{1}{g_{\text{st}}^2 \ell_{\text{st}}^6}, \\ \text{KK5}(12345,9) : \quad M &= \frac{(R_9)^2}{g_{\text{st}}^2 \ell_{\text{st}}^8}, \\ 5_2^2(12345,89) : \quad M &= \frac{(R_8 R_9)^2}{g_{\text{st}}^2 \ell_{\text{st}}^{10}}, \\ 5_3^2(12345,89) : \quad M &= \frac{(R_8 R_9)^2}{g_{\text{st}}^3 \ell_{\text{st}}^{10}}. \end{aligned} \tag{2.7}$$

The NS5-brane in type IIB theory is obtained via the T-duality transformation along the longitudinal (transverse) direction of the NS5-brane (the KK5-brane) in type IIA theory. The KK5-brane and the 5_2^2 -brane are also obtained via the T-duality transformations along suitable directions of five-branes in type IIA theory. The D5-brane and the 5_3^2 -brane are obtained via the S-duality transformation of the NS5-brane and the 5_2^2 -brane in type IIB theory, respectively. We remark that there are other five-branes in type II string theories. We obtain five-branes of co-dimensions less than two by performing further duality transformations. For example, the $5_3^{(1,2)}$ -brane in type IIA theory is obtained via the T-duality transformation along the 7-th direction of the 5_3^2 -brane in type IIB theory. A list of five-branes in type II string theories is found in Figure 1. In the following, our main focus is on the five-branes which have co-dimension two or more.

We further move to type I string theory via the orientifold projection of type IIB theory. Due to this projection, the NS-NS B -field and its dual are projected out. Then the five-branes surviving in type I theory are the D5-brane and the 5_3^2 -brane. Performing the S- and T-duality transformations

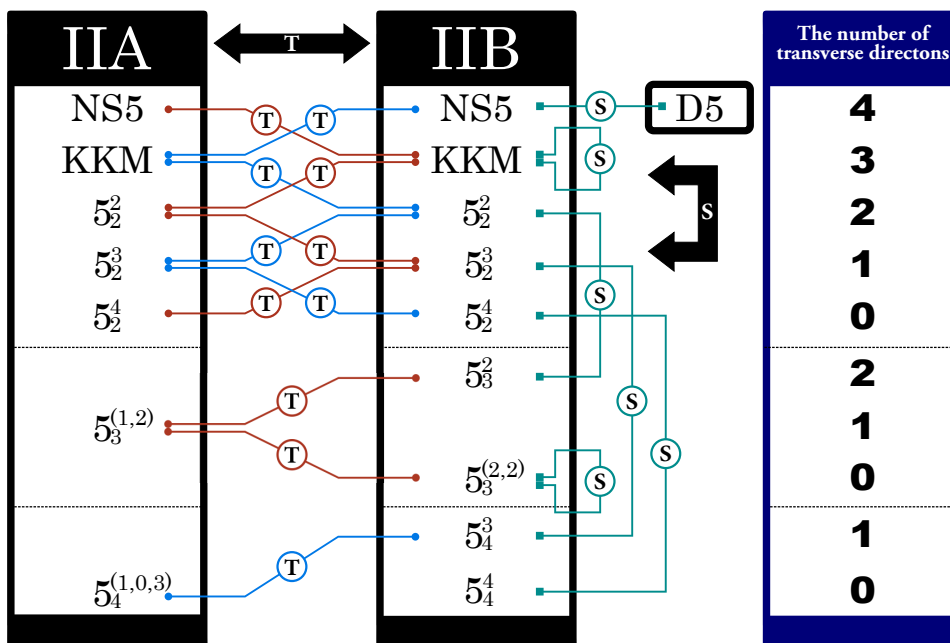


Figure 1: Type II five-branes which are obtained from the NS5-branes by duality chains.

to the five-branes in type I theory, we can also discuss the NS5-brane, the KK5-brane, and the 5_2^2 -brane in heterotic string theories. They are also derived from the branes (2.4) in M-theory via the S^1/\mathbb{Z}_2 compactification. We discuss the world-volume effective actions of five-branes in type I and heterotic string theories in Section 4. We summarize the above demonstration of the string duality chains on five-branes in Figure 2.

Recently, the “exotic” configurations have been investigated very well in supergravity theories [2, 7], and in the framework of double field theory [6]. In our previous works [15, 16, 17] we studied the worldsheet sigma model whose target space is the background geometry of the exotic 5_2^2 -brane. In the next section, we discuss the world-volume descriptions of the exotic five-branes in type IIA and IIB string theories.

3 World-volume effective actions of type II 5_2^2 -brane and 5_3^2 -brane

In this section, we explicitly write down the bosonic part of the world-volume effective actions of the single exotic 5_2^2 -branes in type IIA and IIB, and the 5_3^2 -brane in type IIB string theories. We consider the half-BPS five-branes which preserve sixteen supercharges in its world-volume. The supermultiplets in the world-volume theories of the NS5-branes and the KK5-branes in type I, II and heterotic theories are classified in [30]. With the relations by the T-duality, the world-volume theories of the type IIB 5_2^2 -brane and 5_3^2 -brane are governed by the six-dimensional $\mathcal{N} = (1, 1)$ vector multiplet. On the other hand, the type IIA 5_2^2 -brane world-volume theory is described by the

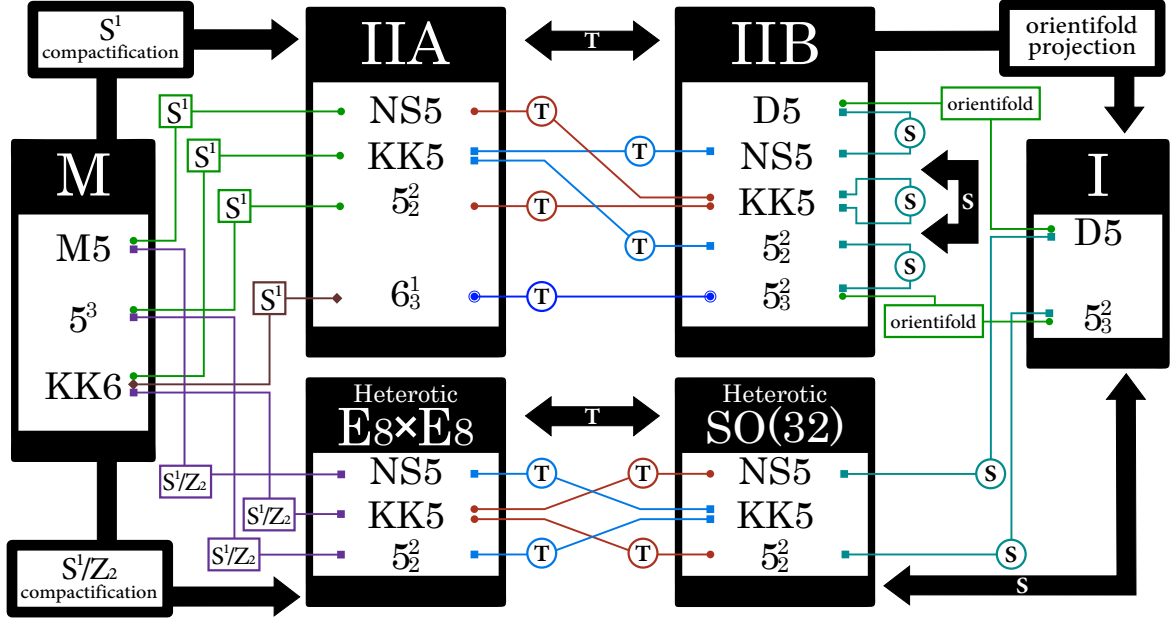


Figure 2: String duality chains on various five-branes.

$\mathcal{N} = (2, 0)$ tensor multiplet. We will work out the effective actions by the duality transformations of the geometric branes. The transformations include those of the space-time backgrounds and the world-volume fields. Generically, the scalar zero-modes associated with the isometry directions are translated into the new scalar fields which do not have the geometrical meaning (it is not the transverse fluctuation modes). The world-volume $U(1)$ gauge field in a brane becomes another $U(1)$ gauge field by the duality transformation. The new gauge field has a different gauge transformation rule from the original one. In the following subsections, we consider the type IIA and IIB theories separately.

3.1 5_2^2 -brane and 5_3^2 -brane in type IIB theory

As we demonstrated in Section 2, the type IIB 5_2^2 -brane is obtained by the T-duality transformations along the transverse directions of the NS5-brane which is S-dual of the D5-brane. The effective action of the single Dp -brane in type II theories is the sum of the Dirac-Born-Infeld (DBI) part and the Wess-Zumino part:

$$\begin{aligned}
S_{Dp} = & -T_{Dp} \int d^{p+1}\xi e^{-\phi} \sqrt{-\det (P[g]_{ab} + P[B]_{ab} + \lambda F_{ab})} \\
& + \mu_p \int_{\mathcal{M}_{p+1}} P[\sum_n C^{(n)} \wedge e^B] \wedge e^{\lambda F}, \tag{3.1}
\end{aligned}$$

where $g_{\mu\nu}$, $B_{\mu\nu}$, ϕ are the background space-time metric, the NS-NS B -field and the dilaton. The fields $C^{(n)}$ are the R-R potentials and $F_{ab} = \partial_a A_b - \partial_b A_a$ is the field strength of the $U(1)$

gauge field A_a . The tension and the R-R charge of the BPS Dp -brane are given by $T_{Dp} = \mu_p = \frac{1}{(2\pi)^p g_{\text{st}}} \alpha'^{-(p+1)/2}$. We also defined $\lambda = 2\pi\alpha'$. The symbol $P[\Phi]$ stands for the pull-back of the space-time tensor fields $\Phi_{\mu_1 \dots \mu_N}$ onto the world-volume:

$$P[\Phi]_{a_1 \dots a_N} = \Phi_{\mu_1 \dots \mu_N} \partial_{a_1} X^{\mu_1} \dots \partial_{a_N} X^{\mu_N}. \quad (3.2)$$

Here ∂_a is the derivative with respect to the world-volume coordinate ξ^a . The summation \sum_n in the Wess-Zumino part is understood such that the integration over the world-volume dimension is well-defined. For example, the Wess-Zumino term of the D5-brane is given by

$$\mu_5 \int_{\mathcal{M}_6} \left[P[C^{(6)}] + P[C^{(4)}] \wedge (P[B] + \lambda F) + \frac{1}{2!} P[C^{(2)}] \wedge (P[B] + \lambda F)^2 + \frac{1}{3!} C^{(0)} (P[B] + \lambda F)^3 \right]. \quad (3.3)$$

The type IIB NS5-brane is S-dual of the D5-brane. The S-duality transformation rules of the background fields [25] are

$$\begin{aligned} \tau &\xrightarrow{\text{S}} -\frac{1}{\tau}, & C^{(2)} &\xrightarrow{\text{S}} B, & B &\xrightarrow{\text{S}} -C^{(2)}, & g_{\mu\nu} &\xrightarrow{\text{S}} |\tau| g_{\mu\nu}, \\ C^{(4)} &\xrightarrow{\text{S}} C^{(4)} + C^{(2)} \wedge B, & C^{(6)} &\xrightarrow{\text{S}} -B^{(6)} + \frac{1}{2} B \wedge C^{(2)} \wedge C^{(2)}, \end{aligned} \quad (3.4)$$

where $\tau = C^{(0)} + i e^{-\phi}$ is the complex axio-dilaton field and $B^{(6)}$ is the magnetic dual of B . Together with the space-time fields, the world-volume gauge field A_a is transformed as $A_a \xrightarrow{\text{S}} \mathcal{A}_a$. Then the effective action of the type IIB NS5-brane [31] is

$$\begin{aligned} S_{\text{NS5}}^{\text{IIB}} &= -T_{\text{NS5}} \int d^6 \xi e^{-2\phi} \sqrt{1 + e^{2\phi} (C^{(0)})^2} \sqrt{-\det \left(g_{\mu\nu} \partial_a X^\mu \partial_b X^\nu + \frac{\lambda e^\phi}{\sqrt{1 + e^{2\phi} (C^{(0)})^2}} \mathcal{F}_{ab} \right)} \\ &\quad - \mu_5 \int_{\mathcal{M}_6} \left[P[B^{(6)}] - \frac{1}{2} P[B \wedge C^{(2)} \wedge C^{(2)}] - \lambda P[C^{(4)} + C^{(2)} \wedge B] \wedge \mathcal{F} \right. \\ &\quad \left. - \frac{\lambda^2}{2} P[B] \wedge \mathcal{F} \wedge \mathcal{F} + \frac{\lambda^3}{3!} \frac{C^{(0)}}{(C^{(0)})^2 + e^{-2\phi}} \mathcal{F} \wedge \mathcal{F} \wedge \mathcal{F} \right]. \end{aligned} \quad (3.5)$$

Here $\mathcal{F}_{ab} = \partial_a \mathcal{A}_b - \partial_b \mathcal{A}_a - \lambda^{-1} C_{\mu\nu}^{(2)} \partial_a X^\mu \partial_b X^\nu$. The tension of the NS5-brane is defined as $T_{\text{NS5}} = g_{\text{st}}^{-1} T_{\text{D5}}$. The action (3.5) is invariant under the following space-time and world-volume gauge transformations:

$$\begin{aligned} \delta B &= d\Lambda^{(1)}, & \delta B^{(6)} &= d\Lambda^{(5)} - d\lambda^{(3)} \wedge C^{(2)} + d\lambda^{(1)} \wedge B \wedge C^{(2)}, \\ \delta C^{(0)} &= 0, & \delta C^{(2)} &= d\lambda^{(1)}, & \delta C^{(4)} &= d\lambda^{(3)} - B \wedge d\lambda^{(1)}, \\ \delta \mathcal{A}_a &= \partial_a \chi + \lambda^{-1} P[\lambda^{(1)}]_a, & \delta \mathcal{F}_{ab} &= 0, \end{aligned} \quad (3.6)$$

where $\Lambda^{(n)}$ and $\lambda^{(n)}$ ($n = 1, 3, 5$) are space-time gauge parameter n -forms and χ is the world-volume gauge parameter. The effective action of the KK-monopole in type IIA string theory is obtained by the T-duality transformation of the action (3.5) along the one transverse direction of the brane [31].

The type IIB 5_2^2 -brane effective action is obtained by the T-duality transformations of the action (3.5) along the two transverse directions. We consider the isometries of the background fields. The isometries are generated by two Killing vectors k_I^μ ($I = 1, 2$) transverse to the NS5-brane world-volume. We keep the space-time covariant expression using the covariant Buscher rules in Appendix B. Then we find

$$\begin{aligned} e^{-2\phi} &\xrightarrow[k_1 k_2]{} e^{-2\phi}(\det h_{IJ}), & g_{\mu\nu} &\xrightarrow[k_1 k_2]{} \Pi_{\mu\nu}(k_2) + \frac{K_\mu^{(1)} K_\nu^{(1)}}{(k_2)^2} - \frac{(k_2)^2 (K_\mu^{(2)} K_\nu^{(2)} - K_\mu^{(3)} K_\nu^{(3)})}{\det h_{IJ}}, \\ B &\xrightarrow[k_1 k_2]{} \tilde{B}, \\ C^{(0)} &\xrightarrow[k_1 k_2]{} i_{k_1} i_{k_2} (C^{(2)} + C^{(0)} B), & C^{(2)} &\xrightarrow[k_1 k_2]{} \tilde{C}^{(2)}, & C^{(4)} &\xrightarrow[k_1 k_2]{} \tilde{C}^{(4)}, \end{aligned} \quad (3.7)$$

where the arrow “ $\xrightarrow[k_1 k_2]{}$ ” indicates that the repeated T-duality transformations along the directions generated by the Killing vectors, first k_1^μ , then k_2^μ . The explicit forms of \tilde{B} , $\tilde{C}^{(2)}$, $\tilde{C}^{(4)}$ are given in Appendix B. Here we defined the following quantities:

$$\begin{aligned} h_{IJ} &= k_I^\mu k_J^\nu (g_{\mu\nu} + B_{\mu\nu}), & \Pi_{\mu\nu}(k_2) &= g_{\mu\nu} - \frac{1}{(k_2)^2} (i_{k_2} g)_\mu (i_{k_2} g)_\nu, \\ (k_I)^2 &= g_{\mu\nu} k_I^\mu k_I^\nu \quad (\text{no sum over } I), \\ K_\mu^{(1)} &= (i_{k_2} B - \lambda d\varphi')_\mu, \\ K_\mu^{(2)} &= \left(i_{k_1} g - \frac{k_1 \cdot k_2}{(k_2)^2} (i_{k_2} g) + \frac{1}{(k_2)^2} (i_{k_1} i_{k_2} B) (i_{k_2} B - \lambda d\varphi') \right)_\mu, \\ K_\mu^{(3)} &= \left((i_{k_1} B - \lambda d\varphi) - \frac{k_1 \cdot k_2}{(k_2)^2} (i_{k_2} B - \lambda d\varphi') + \frac{1}{(k_2)^2} (i_{k_1} i_{k_2} B) i_{k_2} g \right)_\mu. \end{aligned} \quad (3.8)$$

The scalar fields φ and φ' are associated with the dual coordinates under the T-duality transformations along the isometries generated by the Killing vectors k_1^μ and k_2^μ , respectively.

A salient feature of the exotic branes is its coupling to non-geometric fluxes. The T-duality group theoretical representations of the potentials that couple to the solitonic branes (i.e. objects that have the tension proportional to $e^{-2\phi}$) in ten-dimensional supergravities are investigated in [12]. They are anti-symmetric tensor representations of $SO(10 - d, 10 - d)$ where d is the compactified dimensions. The conjugacy class of the solitonic branes are studied. In particular, the Wess-Zumino term of the co-dimension two defect branes are discussed in [13]⁴. The explicit top coupling form of the Wess-Zumino term in the type IIB exotic 5_2^2 -brane is studied in [25]. This is defined by the T-duality transformations of the $B^{(6)}$ field and represented by the mixed-symmetry tensor $B^{(8,2)}$ [29, 12]. We therefore obtain⁵

$$B^{(6)} \xrightarrow[k_1 k_2]{} i_{k_1} i_{k_2} B^{(8,2)}. \quad (3.9)$$

⁴In [13] the exotic 5_2^2 -branes, which come from the NS5-branes by T-dualities, are called generalized KK-monopoles.

⁵Strictly speaking, the terminology $i_{k_1} i_{k_2} B^{(8,2)}$ as the T-dualized six-form is a confusing expression. However, in order to emphasize the Killing vectors of the isometries, we adopted this notation.

Along with the backgrounds fields, the world-volume gauge field is transformed as

$$\mathcal{A}_a \xrightarrow{k_1 k_2} \tilde{A}_a. \quad (3.10)$$

Collecting all the formulae together, we explicitly write down the world-volume action of the type IIB exotic 5_2^2 -brane:

$$\begin{aligned} S_{5_2^2}^{\text{IIB}} = & -T_{5_2^2} \int d^6 \xi e^{-2\phi} (\det h_{IJ}) \sqrt{1 + \frac{e^{2\phi} (i_{k_1} i_{k_2} (C^{(2)} + C^{(0)} B))^2}{\det h_{IJ}}} \\ & \times \sqrt{-\det \left(\Pi_{\mu\nu} (k_2) \partial_a X^\mu \partial_b X^\nu + \frac{K_a^{(1)} K_b^{(1)}}{(k_2)^2} - \frac{(k_2)^2 (K_a^{(2)} K_b^{(2)} - K_a^{(3)} K_b^{(3)})}{\det h_{IJ}} + \lambda \mathcal{F}_{ab} \right)} \\ & - \mu_5 \int_{\mathcal{M}_6} \left[P[i_{k_1} i_{k_2} B^{(8,2)}] - \frac{1}{2} P[\tilde{B} \wedge \tilde{C}^{(2)} \wedge \tilde{C}^{(2)}] - \lambda P[\tilde{C}^{(4)} + \tilde{C}^{(2)} \wedge \tilde{B}] \wedge \tilde{F} \right. \\ & \left. - \frac{\lambda^2}{2!} P[\tilde{B}] \wedge \tilde{F} \wedge \tilde{F} + \frac{\lambda^3}{3!} \frac{i_{k_1} i_{k_2} (C^{(2)} + C^{(0)} B)}{(i_{k_1} i_{k_2} (C^{(2)} + C^{(0)} B))^2 + e^{-2\phi} (\det h_{IJ})} \tilde{F} \wedge \tilde{F} \wedge \tilde{F} \right], \end{aligned} \quad (3.11)$$

where $T_{5_2^2} = T_{\text{NS5}}$ and we have defined

$$\tilde{F}_{ab} = \partial_a \tilde{A}_b - \partial_b \tilde{A}_a - \lambda^{-1} P[\tilde{C}^{(2)}]_{ab}. \quad (3.12)$$

The action contains the following quantity:

$$\mathcal{F}_{ab} = \frac{e^\phi}{\sqrt{\det h_{IJ} + e^{2\phi} (i_{k_1} i_{k_2} (C^{(2)} + C^{(0)} B))^2}} \tilde{F}_{ab}. \quad (3.13)$$

The gauge transformation of $i_{k_1} i_{k_2} B^{(8,2)}$ is complicated but is determined straightforwardly such that the Wess-Zumino term of the action (3.11) is invariant under the following transformations:

$$\begin{aligned} \delta B &= d\Lambda^{(1)}, \\ \delta C^{(0)} &= 0, \quad \delta C^{(2)} = d\lambda^{(1)}, \quad \delta C^{(4)} = d\lambda^{(3)} - B \wedge d\lambda^{(1)}, \\ \delta(d\tilde{A}^{(1)}) &= \lambda P[\delta\tilde{C}^{(2)}], \quad \delta\varphi = -\lambda^{-1} i_{k_1} \Lambda^{(1)}, \quad \delta\varphi' = -\lambda^{-1} i_{k_2} \Lambda^{(1)}. \end{aligned} \quad (3.14)$$

Note that the effective action (3.11) is written in the space-time covariant fashion which is compared with the action obtained in [25]. The action (3.11) shows specific properties of the exotic 5_2^2 -brane. The dilation coupling $e^{-2\phi}$ implies that the brane is a solitonic object as its notation stands for. We also see that the overall factor $\det h_{IJ}$, which contains $(k_1)^2 (k_2)^2$, reflects the fact that the tension of the 5_2^2 -brane is proportional to the radii of the two compactified (isometry) directions. This is the generalization of the structure seen in the KK-monopole world-volume [32, 31] where the tension is proportional to the Killing vector k^2 associated with the Taub-NUT isometry. In order to see that the effective action (3.11) contains zero-modes that correspond to two transverse

directions, we focus on the determinant part of the action. When the backgrounds other than the metric are zero and $\tilde{A}_a = \varphi = \varphi' = 0$, the determinant part of the action is

$$\begin{aligned} & \Pi_{\mu\nu}(k_2)\partial_a X^\mu \partial_b X^\nu \\ & - \frac{k_2^2}{\det h_{IJ}} \left[(i_{k_1} g)_\mu \partial_a X^\mu - \frac{k_1 \cdot k_2}{(k_2)^2} (i_{k_2} g)_\mu \partial_a X^\mu \right] \left[(i_{k_1} g)_\nu \partial_b X^\nu - \frac{k_1 \cdot k_2}{(k_2)^2} (i_{k_2} g)_\nu \partial_b X^\nu \right] \\ & = \Pi_{\mu\nu} \partial_a X^\mu \partial_b X^\nu, \end{aligned} \quad (3.15)$$

where $\Pi_{\mu\nu} = g_{\mu\nu} - h^{IJ} g_{\mu\rho} g_{\nu\sigma} k_I^\rho k_J^\sigma$, $h_{IJ} = g_{\mu\nu} k_I^\mu k_J^\nu$ and $h^{IK} h_{KJ} = \delta^I_J$. This is nothing but the structure of the gauged sigma model with two isometries [32]. The fluctuation modes associated with the isometry directions are projected out. We note that when the NS-NS B -field is turned on, the action is not written as a gauged sigma model. The exotic seven-brane with two gauged isometries is constructed in [1] where the NS-NS B -field is turned off.

In the static gauge, the field content of the effective action (3.11) is therefore, a $U(1)$ gauge field \tilde{A}_a , two transverse scalar zero-modes X^1, X^2 , two scalar fields φ, φ' that come from the T-duality transformation. They are organized into the six-dimensional $\mathcal{N} = (1, 1)$ vector multiplet as we expected.

Next, we proceed to the exotic 5_3^2 -brane. The effective action of the exotic 5_3^2 -brane is obtained by applying the S-duality transformation to the 5_2^2 -brane effective action (3.11) [25] (see also Figure 1). The world-volume fields are transformed as

$$\tilde{A}_a \xrightarrow{S} \tilde{A}'_a, \quad \varphi \xrightarrow{S} \tilde{\varphi}, \quad \varphi' \xrightarrow{S} \tilde{\varphi}'. \quad (3.16)$$

The background fields are transformed by the S-duality rule (3.4). Then the action is

$$\begin{aligned} S_{5_3^2}^{\text{IIB}} &= -T_{5_3^2} \int d^6 \xi |\tau| e^{-2\phi} (\det l_{IJ}) \sqrt{1 + \frac{e^{2\phi}}{\det l_{IJ}} \left\{ i_{k_1} i_{k_2} (B + |\tau|^{-2} C^{(0)} C^{(2)}) \right\}} \\ &\times \sqrt{-\det \left(\Pi_{\mu\nu}(k_2) \partial_a X^\mu \partial_b X^\nu + \frac{L_a^{(1)} L_b^{(1)}}{|\tau|^2 (k_2)^2} - \frac{(k_2)^2 (L_a^{(2)} L_b^{(2)} - |\tau|^{-2} L_a^{(3)} L_b^{(3)})}{\det l_{IJ}} + \lambda \mathcal{F}'_{ab} \right)} \\ &- \mu_5 \int_{\mathcal{M}_6} \left[P[i_{k_1} i_{k_2} C^{(8,2)}] - \frac{1}{2} P[\tilde{B}' \wedge \tilde{C}^{(2)'} \wedge \tilde{C}^{(2)'}] \right. \\ &\quad - \lambda P[\tilde{C}^{(4)'} \wedge \tilde{C}^{(2)'} \wedge \tilde{B}'] \wedge \tilde{F}' - \frac{\lambda^2}{2!} P[\tilde{B}'] \wedge \tilde{F}' \wedge \tilde{F}' \\ &\quad \left. + \frac{\lambda^3}{3!} \frac{|\tau|^2 e^{2\phi} i_{k_1} i_{k_2} (B + |\tau|^{-2} C^{(0)} C^{(2)})}{\det l_{IJ} + |\tau|^2 e^{2\phi} (i_{k_1} i_{k_2} (B + |\tau|^{-2} C^{(0)} C^{(2)}))^2} \wedge \tilde{F}' \wedge \tilde{F}' \wedge \tilde{F}' \right], \end{aligned} \quad (3.17)$$

where $T_{5_3^2} = g_{\text{st}}^{-1} T_{5_2^2}$ and we have defined

$$\begin{aligned}
l_{IJ} &= k_I^\mu k_J^\nu (g_{\mu\nu} - |\tau|^{-1} C_{\mu\nu}^{(2)}), \\
L_\mu^{(1)} &= (i_{k_2} C^{(2)} + \lambda d\tilde{\varphi}')_\mu, \\
L_\mu^{(2)} &= \left(i_{k_1} g - \frac{k_1 \cdot k_2}{(k_2)^2} (i_{k_2} g) + \frac{1}{|\tau|^2 (k_2)^2} (i_{k_1} i_{k_2} C^{(2)}) (i_{k_2} C^{(2)} + \lambda d\tilde{\varphi}') \right)_\mu, \\
L_\mu^{(3)} &= \left((i_{k_1} C^{(2)} + \lambda d\tilde{\varphi}) - \frac{k_1 \cdot k_2}{(k_2)^2} (i_{k_2} C^{(2)} + \lambda d\tilde{\varphi}') + \frac{1}{(k_2)^2} (i_{k_1} i_{k_2} C^{(2)}) i_{k_2} g \right)_\mu, \\
\tilde{F}'_{ab} &= \partial_a \tilde{A}'_b - \partial_b \tilde{A}'_a - \lambda^{-1} P[\tilde{C}^{(2)'}]_{ab}, \\
\mathcal{F}'_{ab} &= \frac{e^\phi}{\sqrt{\det l_{IJ} + |\tau|^2 e^{2\phi} i_{k_1} i_{k_2} (B + |\tau|^{-2} C^{(0)} C^{(2)})}} \tilde{F}'_{ab}.
\end{aligned} \tag{3.18}$$

The explicit forms of the background fields \tilde{B}' , $\tilde{C}^{(2)'}$, $\tilde{C}^{(4)'}$ are found in (B.19). The power of the dilaton field implies that the tension of this five-brane is proportional to g_{st}^{-3} . Notice that $C^{(8,2)}$ is the R-R mixed-symmetry tensor. As we addressed in Section 2, this is S-dual of the NS-NS mixed-symmetry tensor $B^{(8,2)}$ in ten dimensions [25]. Although the 5_3^2 -brane does not exist in type IIA string theory, one encounters this exotic brane in type I theory. We will come back to the 5_3^2 -brane in Section 4.

3.2 5_2^2 -brane in type IIA theory

In this subsection, we consider the exotic 5_2^2 -brane in type IIA string theory. The supermultiplet of the type IIA 5_2^2 -brane effective theory is a six-dimensional $\mathcal{N} = (2, 0)$ tensor multiplet which consists of one self-dual tensor field of rank two and five scalar fields. It is necessary to introduce an auxiliary field for a manifestly Lorentz invariant action of self-dual fields. In order to obtain the IIA 5_2^2 -brane, we start from the action of a single M5-brane in eleven dimensions. By the direct dimensional reduction of the M5-brane, we first obtain the type IIA NS5-brane. Performing the T-duality transformations twice, we obtain the type IIA 5_2^2 -brane.

The world-volume fields in the M5-brane effective action belong to a six-dimensional $\mathcal{N} = (2, 0)$ tensor multiplet. The five scalar fields correspond to the translational moduli of the M5-brane in eleven dimensions. The action involves the $U(1)$ self-dual two-form gauge field A_{ab} . The manifestly Lorentz invariant form of the action is given in the Pasti-Sorokin-Tonin (PST) formalism [33]:

$$\begin{aligned}
S_{\text{M5}} &= -T_{\text{M5}} \int d^6 \xi \left[\sqrt{-\det(P[\hat{g}]_{ab} + i\hat{H}_{ab}^*)} + \frac{\sqrt{-\hat{g}}}{4(\hat{\partial}a)^2} \hat{H}^{*abc} \hat{H}_{bcd} (\partial_a a \partial^d a) \right] \\
&\quad + T_{\text{M5}} \int_{\mathcal{M}_6} \left(P[\hat{C}^{(6)}] - \frac{1}{2} F^{(3)} \wedge P[\hat{C}^{(3)}] \right),
\end{aligned} \tag{3.19}$$

where $T_{\text{M5}} = \frac{1}{(2\pi)^5} M_{11}^6$ is the M5-brane tension in terms of the the Planck mass M_{11} in eleven dimensions. $F^{(3)} = dA^{(2)}$ is the field strength of the self-dual two-form gauge field. The real

auxiliary field $a(\xi)$ is non-dynamical. The explicit expressions of the variables in the action are given by

$$\begin{aligned} F_{abc}^{(3)} &= \partial_a A_{bc} - \partial_b A_{ac} + \partial_c A_{ab}, & \hat{g} &= \det P[\hat{g}], & (\widehat{\partial a})^2 &= P[\hat{g}]^{ab} \partial_a a \partial_b a, \\ \widehat{H}_{abc} &= F_{abc}^{(3)} - P[\widehat{C}^{(3)}]_{abc}, & \widehat{H}^{*abc} &= \frac{1}{3! \sqrt{-\hat{g}}} \varepsilon^{abcdef} \widehat{H}_{def}, & \widehat{H}_{ab}^* &= \frac{1}{\sqrt{(\widehat{\partial a})^2}} \widehat{H}_{abc}^* \partial^c a. \end{aligned} \quad (3.20)$$

All the world-volume indices are contracted with $P[g]_{ab}$, *i.e.*, the pull-back $P[\hat{g}]^{ab}$. Here $P[\hat{g}]^{ab}$ is the inverse of $P[\hat{g}]_{ab}$. The fields \widehat{g}_{MN} , $\widehat{C}^{(3)}$, $\widehat{C}^{(6)}$ are the space-time metric, the three-form potential and its magnetic dual in $D = 11$ supergravity. The action is invariant under the following four kinds of gauge transformations:

- The ordinary world-volume gauge transformation by the gauge parameter one-form χ_a :

$$\delta A_{ab} = \partial_{[a} \chi_{b]}. \quad (3.21)$$

- The field dependent world-volume gauge transformation by the gauge parameter one-form χ'_a :

$$\delta A_{ab} = \partial_{[a} \chi'_{b]}, \quad \delta a = 0. \quad (3.22)$$

- The field dependent world-volume gauge transformation by the gauge parameter $\widehat{\chi}$:

$$\begin{aligned} \delta a &= \widehat{\chi}, & \delta A_{ab} &= \frac{\widehat{\chi}}{2(\widehat{\partial a})^2} (H_{abc} \partial^c a - \mathcal{V}_{ab}), \\ \mathcal{V}^{ab} &= -2 \sqrt{-\frac{(\widehat{\partial a})^2}{\hat{g}}} \frac{\delta}{\delta \widehat{H}_{ab}^*} \sqrt{-\det(P[\hat{g}] + i\widehat{H}^*)}. \end{aligned} \quad (3.23)$$

- The space-time gauge transformations by the gauge parameter five- and two-forms $\widehat{\Lambda}^{(5)}$, $\widehat{\Lambda}^{(2)}$:

$$\begin{aligned} \delta \widehat{C}^{(3)}(X) &= d\widehat{\Lambda}^{(2)}(X), & \delta \widehat{C}^{(6)}(X) &= d\widehat{\Lambda}^{(5)} + \frac{1}{2} d\widehat{\Lambda}^{(2)}(X) \wedge \widehat{C}^{(3)}(X), \\ \delta A^{(2)}(\xi) &= \widehat{\Lambda}^{(2)}(X(\xi)). \end{aligned} \quad (3.24)$$

Now we perform the direct dimensional reduction of the M5-brane action (3.19). The KK ansatz is

$$\widehat{g}_{MN} = \begin{pmatrix} e^{-\frac{2}{3}\phi} (g_{\mu\nu} + e^{2\phi} C_\mu^{(1)} C_\nu^{(1)}) & e^{\frac{4}{3}\phi} C_\mu^{(1)} \\ e^{\frac{4}{3}\phi} C_\nu^{(1)} & e^{\frac{4}{3}\phi} \end{pmatrix}, \quad (3.25)$$

where $M, N = 0, \dots, 10$ is the space-time indices in eleven dimensions. The potential forms are decomposed as

$$\begin{aligned} \widehat{C}^{(3)} &= C^{(3)} - B \wedge dY, \\ \widehat{C}^{(6)} &= B^{(6)} + C^{(5)} \wedge dY + \frac{1}{2} C^{(5)} \wedge C^{(1)} + \frac{1}{2} C^{(3)} \wedge B \wedge dY. \end{aligned} \quad (3.26)$$

Here Y is a world-volume scalar field associated with the compact space-time coordinate y . Note that the fields in the left-hand sides are form fields in $D = 11$ while the ones in the right-hand sides are those in $D = 10$. For later convenience, we also define

$$F_\mu = \partial_\mu Y + C_\mu^{(1)}. \quad (3.27)$$

Performing the direct dimensional reduction, we obtain the effective action of the type IIA NS5-brane [34]:

$$\begin{aligned} S_{\text{NS5}}^{\text{IIA}} = & -T_{\text{NS5}} \int d^6 \xi e^{-2\phi} \sqrt{-\det(P[g]_{ab} + \lambda^2 e^{2\phi} F_a F_b)} \sqrt{\det\left(\delta_a^b + \frac{i\lambda e^\phi (P[g]_{ac} + \lambda^2 e^{2\phi} F_a F_c)}{\mathcal{N} \sqrt{\det(\delta_e^f + \lambda^2 e^{2\phi} F_e F_f)}} H^{*bc}\right)} \\ & - \frac{\lambda^2}{4} T_{\text{NS5}} \int d^6 \xi \frac{\sqrt{-g}}{\mathcal{N}^2} H^{*ab} H_{abc} \left(P[g]^{cd} - \frac{e^{2\phi} \lambda^2 F^c F^d}{1 + \lambda^2 e^{2\phi} F^2} \right) \frac{\partial_d a}{\sqrt{(\partial a)^2}} \\ & + \mu_5 \int_{\mathcal{M}_6} \left(P[B^{(6)}] + \lambda P[C^{(5)} \wedge dY] + \frac{1}{2} P[C^{(5)} \wedge C^{(1)}] + \frac{\lambda}{2} P[C^{(3)} \wedge B \wedge dY] \right. \\ & \quad \left. - \frac{\lambda}{2} F^{(3)} \wedge P[C^{(3)}] + \frac{\lambda}{2} F^{(3)} \wedge P[B \wedge dY] \right), \end{aligned} \quad (3.28)$$

where we have defined

$$\begin{aligned} F_a &= P[F]_a = \partial_a Y + \lambda^{-1} P[C^{(1)}]_a, \quad \mathcal{N} = \sqrt{1 - \frac{\lambda^2 e^{2\phi} (F \partial a)^2}{(\partial a)^2 (1 + \lambda^2 e^{2\phi} F^2)}}, \\ g &= \det P[g], \quad (\partial a)^2 = P[g]^{ab} \partial_a a \partial_b a, \\ H_{abc} &= F_{abc}^{(3)} - \lambda^{-1} P[C^{(3)}]_{abc} - (P[B] \wedge dY)_{abc}, \\ H^{*abc} &= \frac{1}{3! \sqrt{-g}} \varepsilon^{abcdef} H_{def}, \quad H^{*ab} = \frac{1}{\sqrt{(\partial a)^2}} H^{*abc} \partial_c a. \end{aligned} \quad (3.29)$$

Here we have rescaled $F_{abc}^{(3)} \rightarrow \lambda F_{abc}^{(3)}$, $Y \rightarrow \lambda Y$ in order to make the dimension of the fields be $[A_{ab}] = [Y] = +1$. All the world-volume indices are contracted with the pull-back of the ten-dimensional metric $g_{\mu\nu}$. The Wess-Zumino term is invariant under the following space-time gauge transformations:

$$\begin{aligned} \delta B &= d\Lambda^{(1)}, \\ \delta B^{(6)} &= d\Lambda^{(5)} + \frac{1}{2} C^{(1)} \wedge d\lambda^{(4)} - \frac{1}{2} (C^{(3)} + C^{(1)} \wedge B) \wedge d\lambda^{(2)} \\ &\quad + \frac{1}{2} (C^{(5)} + C^{(3)} \wedge B + \frac{1}{2} C^{(1)} \wedge B \wedge B) \wedge d\lambda^{(0)}, \\ \delta C^{(1)} &= d\lambda^{(0)}, \\ \delta C^{(3)} &= d\lambda^{(2)} - B \wedge d\lambda^{(0)}, \\ \delta C^{(5)} &= d\lambda^{(4)} - B \wedge d\lambda^{(2)} + \frac{1}{2!} B \wedge B \wedge d\lambda^{(0)}, \\ \delta Y &= -\lambda^{(0)}, \\ \delta(dA^{(2)}) &= \lambda^{-1} P[d\lambda^{(2)} - B \wedge d\lambda^{(0)}] + P[d\Lambda^{(1)} \wedge dY - B \wedge d\lambda^{(0)}], \end{aligned} \quad (3.30)$$

where $\Lambda^{(n)}$ and $\lambda^{(n)}$ are gauge parameter n -forms.

Now we perform the T-duality transformations of the action (3.28). The pull-back of the metric is transformed as

$$\begin{aligned} P[g]_{ab} &\xrightarrow[k_1 k_2]{} \Pi_{\mu\nu}(k_2) \partial_a X^\mu \partial_b X^\nu + \frac{K_a^{(1)} K_b^{(1)}}{(k_2)^2} - \frac{(k_2)^2 (K_a^{(2)} K_b^{(2)} - K_a^{(3)} K_b^{(3)})}{\det h_{IJ}} \\ &\equiv \tilde{g}_{ab}. \end{aligned} \quad (3.31)$$

We define the inverse matrix \tilde{g}^{ab} as follows:

$$\tilde{g}_{ab} \tilde{g}^{bc} = \tilde{g}^{cb} \tilde{g}_{ba} = \delta_a^c. \quad (3.32)$$

The T-duality transformations of the R-R fields are

$$P[C^{(1)}] \xrightarrow[k_1 k_2]{} P[\tilde{C}^{(1)}], \quad P[C^{(3)}] \xrightarrow[k_1 k_2]{} P[\tilde{C}^{(3)}], \quad P[C^{(5)}] \xrightarrow[k_1 k_2]{} P[\tilde{C}^{(5)}], \quad (3.33)$$

where the explicit expressions of the right-hand sides are found in Appendix B. We also have

$$\begin{aligned} P[g]_{ab} + e^{2\phi} F_a F_b &\xrightarrow[k_1 k_2]{} \tilde{g}_{ab} + \frac{e^{2\phi}}{\det h_{IJ}} (\partial_a Y + P[\tilde{C}^{(1)}]_a) (\partial_b Y + P[\tilde{C}^{(1)}]_b), \\ F^a \partial_a a &\xrightarrow[k_1 k_2]{} \tilde{g}^{ab} (\partial_a Y + P[\tilde{C}^{(1)}]_a) \partial_b a, \\ F^2 &\xrightarrow[k_1 k_2]{} \tilde{g}^{ab} (\partial_a Y + P[\tilde{C}^{(1)}]_a) (\partial_b Y + P[\tilde{C}^{(1)}]_b), \\ \mathcal{N}^2 &\xrightarrow[k_1 k_2]{} 1 - \frac{e^{2\phi} \tilde{g}^{ef} (\partial_e Y + P[\tilde{C}^{(1)}]_e) \partial_f a}{(\tilde{\partial} a)^2 \left(\det h_{IJ} + e^{2\phi} \tilde{g}^{cd} (\partial_c Y + P[\tilde{C}^{(1)}]_c) (\partial_d Y + P[\tilde{C}^{(1)}]_d) \right)} \\ &\equiv \tilde{\mathcal{N}}^2, \end{aligned} \quad (3.34)$$

where $(\tilde{\partial} a)^2 = \tilde{g}^{ab} \partial_a a \partial_b a$, and

$$H_{abc} \xrightarrow[k_1 k_2]{} \tilde{F}_{abc} - P[\tilde{C}^{(3)}]_{abc} - (P[\tilde{B}] \wedge (dY + P[\tilde{C}^{(1)}]))_{abc} \equiv \tilde{H}_{abc}. \quad (3.35)$$

Here the world-volume gauge field A_{ab} is transformed as $A_{ab} \xrightarrow[k_1 k_2]{} \tilde{A}_{ab}$ and $\tilde{F}^{(3)} = d\tilde{A}^{(2)}$. Putting everything together, we obtain the effective action of the type IIA 5_2^2 -brane:

$$\begin{aligned} S_{5_2^2}^{\text{IIA}} &= -T_{5_2^2} \int d^6 \xi e^{-2\phi} (\det h_{IJ}) \\ &\times \sqrt{-\det \left(\Pi_{\mu\nu}(k_2) \partial_a X^\mu \partial_b X^\nu + \frac{K_a^{(1)} K_b^{(1)}}{(k_2)^2} - \frac{(k_2)^2 (K_a^{(2)} K_b^{(2)} - K_a^{(3)} K_b^{(3)})}{\det h_{IJ}} + \frac{\lambda^2 e^{2\phi}}{\det h_{IJ}} \tilde{F}_a^{(1)} \tilde{F}_b^{(1)} \right)} \\ &\times \sqrt{\det \left(\delta_a^b + \frac{i e^\phi}{3! \tilde{\mathcal{N}} \sqrt{\det h_{IJ} (\tilde{\partial} a)^2}} Z_a^b \right)} \end{aligned}$$

$$\begin{aligned}
& -\frac{\lambda^2}{4} T_{5_2^2} \int d^6 \xi \frac{\varepsilon^{abgd'e'f'} \tilde{H}_{d'e'f'} \tilde{H}_{abc} (\partial_{ga} \partial_{da})}{3! \tilde{\mathcal{N}}^2 (\partial a)^2} \left[\tilde{g}^{cd} - \frac{\lambda^2 e^{2\phi} \tilde{g}^{ce} \tilde{g}^{df} \tilde{F}_e^{(1)} \tilde{F}_f^{(1)}}{\det h_{IJ} + \lambda^2 e^{2\phi} \tilde{g}^{a'b'} \tilde{F}_{a'}^{(1)} \tilde{F}_{b'}^{(1)}} \right] \\
& + T_{5_2^2} \int_{\mathcal{M}_6} \left(P[i_{k_1} i_{k_2} B^{(8,2)}] + \frac{1}{2} P[\tilde{C}^{(5)} \wedge \tilde{C}^{(1)}] + \lambda P[\tilde{C}^{(5)}] \wedge dY + \frac{\lambda}{2} P[\tilde{C}^{(3)} \wedge \tilde{B} \wedge dY] \right. \\
& \quad \left. - \frac{\lambda}{2} F^{(3)} \wedge P[\tilde{C}^{(3)}] + \frac{\lambda}{2} F^{(3)} \wedge P[\tilde{B} \wedge dY] \right). \tag{3.36}
\end{aligned}$$

Here we introduced the following expressions:

$$\begin{aligned}
\tilde{F}_a^{(1)} &= \partial_a Y + \lambda^{-1} P[\tilde{C}^{(1)}]_a, \\
Z_a{}^b &= \frac{\varepsilon^{ghcdef} (\tilde{g}_{ac} + \lambda^2 e^{2\phi} (\det h_{IJ})^{-1} \tilde{F}_a^{(1)} \tilde{F}_b^{(1)}) \tilde{H}_{def} \partial_g a}{\sqrt{-\det (\tilde{g}_{a'b'} + \lambda^2 e^{2\phi} (\det h_{IJ})^{-1} \tilde{F}_{a'}^{(1)} \tilde{F}_{b'}^{(1)})}}. \tag{3.37}
\end{aligned}$$

The gauge transformations of the scalar fields φ, φ' are those found in (3.14). The gauge transformation of the scalar field Y is defined such that the modified field strength $\tilde{F}^{(1)}$ is invariant, namely,

$$\delta(dY) = -\lambda^{-1} P[\delta\tilde{C}^{(1)}]. \tag{3.38}$$

The world-volume gauge transformations of \tilde{A}_{ab} and the auxiliary field a are obtained from those in the M5-brane (3.21)-(3.23) where the background fields are given in the KK ansatz (3.25) with the T-dualized forms. Again the space-time gauge transformations of the non-geometric flux $i_{k_1} i_{k_2} B^{(8,2)}$ is determined by requiring that the Wess-Zumino term of the action (3.36) is invariant under the gauge transformations of $\tilde{C}^{(5)}$, $\tilde{C}^{(3)}$, $\tilde{C}^{(1)}$ and \tilde{B} . The calculation is straightforward but tedious and we never pursue it here. Now, we summarize the field content of the effective action (3.36). In the static gauge, the world-volume fields are two translational zero-modes X^1, X^2 , a scalar field Y originated from the dimensional reduction from $D = 11$ to $D = 10$, two scalar fields φ, φ' associated with the dual coordinates, a self-dual two-form gauge field \tilde{A}_{ab} and a non-dynamical auxiliary field a . They are organized into the six-dimensional $\mathcal{N} = (2, 0)$ tensor multiplet as expected.

A comment is in order about world-volume effective actions of exotic five-branes. As displayed in Figure 1, there are other exotic five-branes of co-dimension less than two in type II string theories. For example, performing the T-duality transformation of the 5_3^2 -brane, we obtain another exotic five-brane called $5_3^{(1,2)}$ -brane in type IIA theory. This has the tension proportional to g_{st}^{-3} and is a heavy object in perturbative string theory. The world-volume effective action of the $5_3^{(1,2)}$ -brane should contain three Killing vectors $k_1^\mu, k_2^\mu, k_3^\mu$ and the supermultiplet of the theory must be the six-dimensional $\mathcal{N} = (2, 0)$ tensor multiplet. Although it is formally possible to write down the effective action of the exotic five-branes of co-dimension less than two in the covariant fashion, we never explore it in this paper.

4 Exotic five-branes in type I and heterotic string theories

In the previous section, we gave the world-volume effective actions of the exotic 5_2^2 - and 5_3^2 -branes in type II string theories by virtue of the string duality chains. In this section, we explore exotic five-branes in type I and heterotic string theories. Through the string duality chains, we can also discuss the effective actions of the exotic five-branes in these theories.

The most notable fact about the world-volume theory of five-branes in type I and heterotic theories is its non-Abelian nature even for a single brane. For example, the type I single D5-brane supports the $Sp(1) = SU(2)$ gauge group in its world-volume [35]. In addition to the vector multiplet, there are hypermultiplets transformed as $(\mathbf{2}, \mathbf{32})$ of the $SU(2) \times SO(32)$ group. One consequence of this fact is that exotic five-branes in heterotic theories should have non-Abelian gauge groups by the duality chains (see Figure 2). It is a common practice that non-Abelian gauge groups in the DBI type of the actions are hard to analyze. We therefore consider a $U(1)$ subgroup of the gauge groups in the effective actions and extract some physical properties of the exotic five-branes in type I and heterotic theories.

4.1 5_3^2 -brane in Type I theory

Type I string theory is obtained by the orientifold projection of type IIB string theory with the addition of an O9-plane, sixteen D9-branes and their mirror images. The most familiar five-brane in type I theory is the D5-brane. The D5-brane preserves eight supercharges. In type I theory, the D5-brane world-volume fields originate from the D5-D5 and the D5-D9 open string sectors, where the D5-D5 sector provides the $Sp(1) = SU(2)$ Chan-Paton factor. An $\mathcal{N} = (1, 0)$ vector and an $\mathcal{N} = (1, 0)$ hypermultiplet come from the D5-D5 open string sector. The vector multiplet belongs to the adjoint representation of $SU(2)$ while the hypermultiplet is $SU(2)$ singlet. From the D5-D9 open string sector, there appears to be $SO(2) \times SO(32)$ bi-fundamental hypermultiplets.

The exotic five-brane in type I theory is the 5_3^2 -brane. Through the connection to the D5-brane by dualities, there are at least one $SU(2)$ adjoint vector field and four $SU(2)$ singlet real scalar fields in the world-volume theory of the type I 5_3^2 -brane. Its $U(1)$ part of the effective action can be obtained from that of the type IIB 5_3^2 -brane (3.17) by the orientifold projection. The dilaton ϕ , the metric $g_{\mu\nu}$, the R-R potentials $C^{(2)}$, $C^{(6)}$, and the non-geometric fluxes that are related to these fields by the duality chains, survive the projection. The half of sixteen supersymmetries is preserved in the world-volume of the 5_3^2 -brane. As a result, the $U(1)$ part of the type I 5_3^2 -brane effective action is ⁶

$$S_{5_3^2}^I = -T_{5_3^2} \int d^6\xi e^{-3\phi} (\det l_{IJ})$$

⁶ Here we do not consider the world-volume coupling to the background $SO(32)$ gauge field.

$$\begin{aligned}
& \times \sqrt{-\det \left(\Pi_{\mu\nu}(k_2) \partial_a X^\mu \partial_b X^\nu + \frac{e^{2\phi} L_a^{(1)} L_b^{(1)}}{(k_2)^2} - \frac{(k_2)^2 (L_a^{(2)} L_b^{(2)} - e^{2\phi} L_a^{(3)} L_b^{(3)})}{\det l'_{IJ}} + \frac{\lambda e^\phi}{\sqrt{\det l'_{IJ}}} F'_{ab} \right)} \\
& + \mu_5 \int_{\mathcal{M}_6} \left(P[i_{k_1} i_{k_2} C^{(8,2)}] - \frac{\lambda^2}{2} P[\tilde{B}^{(2)'}] \wedge F' \wedge F' \right), \tag{4.1}
\end{aligned}$$

where we have defined

$$\begin{aligned}
l'_{IJ} &= k_I^\mu k_J^\nu (g_{\mu\nu} - e^\phi C_{\mu\nu}^{(2)}), \\
L_\mu^{(1)} &= (i_{k_2} C^{(2)} + \lambda d\tilde{\varphi}')_\mu, \\
L_\mu^{(2)} &= \left(i_{k_1} g - \frac{k_1 \cdot k_2}{(k_2)^2} (i_{k_2} g) \right)_\mu + \frac{e^\phi}{(k_2)^2} (i_{k_1} i_{k_2} C^{(2)}) (i_{k_2} C^{(2)} + \lambda d\tilde{\varphi}')_\mu, \\
L_\mu^{(3)} &= \left((i_{k_1} C^{(2)} + \lambda d\varphi) - \frac{k_1 \cdot k_2}{(k_2)^2} (i_{k_2} C^{(2)} + \lambda d\varphi') + \frac{1}{(k_2)^2} (i_{k_1} i_{k_2} C^{(2)}) (i_{k_2} g) \right)_\mu, \\
F'_{ab} &= \partial_a A'_b - \partial_b A'_a.
\end{aligned} \tag{4.2}$$

The field content of this effective theory is a $U(1)$ gauge field A'_a , two translational zero-modes X^1 , X^2 , two scalar fields $\tilde{\varphi}$, $\tilde{\varphi}'$ associated with the dual coordinates. Altogether, they consist of an $\mathcal{N} = (1, 0)$ Abelian vector multiplet and a neutral hypermultiplet in six dimensions. Note that we do not present hypermultiplet parts of the action which are traced back to the D5-D9 open string sector in the D5-brane. Although it is intractable to include these parts in the DBI action, they are necessary for the anomaly free theory of the type I 5_2^2 -brane.

4.2 5_2^2 -branes in heterotic theories

We begin with the half-BPS NS5-brane (heterotic five-brane) in $E_8 \times E_8$ or $SO(32)$ heterotic string theory. In heterotic supergravities, they are gauge instantons embedded in the ten-dimensional space-time geometry [36, 27]. The world-volume theory of the heterotic five-brane contains an $\mathcal{N} = (1, 0)$ vector multiplet ($SO(32)$) or an $\mathcal{N} = (1, 0)$ tensor multiplet ($E_8 \times E_8$) together with an appropriate number of hypermultiplets. The hypermultiplets are necessary for chiral anomaly free theories. It is known that the heterotic gauge symmetry $E_8 \times E_8$ or $SO(32)$ is broken to $E_7 \times E_8$ or $SO(28, 2)$ respectively on a heterotic five-brane⁷, which is grounded on the anomaly cancellation in six dimensions [37, 38, 39, 40, 41, 42, 43, 44, 45]. Heterotic string theories contain also exotic 5_2^2 -branes. Non-geometric solutions in heterotic theories have been discussed in [46, 47]. Through the string dualities, it is considered that such $E_7 \times E_8$ or $SO(28, 2)$ non-Abelian gauge symmetry must exist on the heterotic 5_2^2 -brane. In the following we consider relatively simple part of the effective actions of the 5_2^2 -brane in heterotic theories. We appraise that the heterotic 5_2^2 -brane effective

⁷The broken gauge symmetries are obtained by the standard embedding of $SU(2)$ to the original heterotic symmetries. Since the $SU(2)$ symmetry comes from the spin connection [36, 27], the symmetry cannot remain as a gauge symmetry. Relations between the $SU(2)$ symmetry originated from spin connections in heterotic string theories and the $SU(2)$ gauge symmetry of the D5-brane in type I theory are still unclear.

actions discussed in this section represent an Abelian part of the non-Abelian gauge symmetries of the fully consistent five-brane world-volume action. This would substantially lead to consider the neutral solution of heterotic five-branes [27] where the $SO(32)$ or $E_8 \times E_8$ gauge field has vanishing configuration.

In $SO(32)$ heterotic string theory, the 5_2^2 -brane effective action can be obtained from the type I 5_2^2 -brane effective action by the S-duality transformation:

$$C^{(2)} \xrightarrow{S} B, \quad \phi \xrightarrow{S} -\phi, \quad g_{\mu\nu} \xrightarrow{S} e^{-\phi} g_{\mu\nu}, \quad A_\mu^I \xrightarrow{S} A_\mu^{\text{HSO}}, \quad (4.3)$$

where the variables in the left-hand side (right-hand side) are the ones in type I ($SO(32)$ heterotic) string theory. As a result, the $U(1)$ part of the $SO(32)$ heterotic 5_2^2 -brane effective action is

$$\begin{aligned} S_{5_2^2}^{\text{HSO}} &= -T_{5_2^2} \int d^6 \xi e^{-2\phi} (\det h_{IJ}) \\ &\times \sqrt{-\det \left(\Pi_{\mu\nu}(k_2) \partial_a X^\mu \partial_b X^\nu + \frac{K_a^{(1)} K_b^{(1)}}{(k_2)^2} - \frac{(k_2)^2 (K_a^{(2)} K_b^{(2)} - K_a^{(3)} K_b^{(3)})}{\det h_{IJ}} + \frac{\lambda e^\phi}{\sqrt{\det h_{IJ}}} F_{ab} \right)} \\ &+ \mu_5 \int_{\mathcal{M}_6} \left(P[i_{k_1} i_{k_2} B^{(8,2)}] + \frac{\lambda}{2} F^{(3)} \wedge P[\tilde{B} \wedge dY] \right). \end{aligned} \quad (4.4)$$

It is also true that the same effective action is obtained by performing two T-duality transformations along two isometry directions on the $SO(32)$ heterotic five-brane action. The latter is derived via the S-duality transformation of the type I D5-brane effective action.

We can evaluate the 5_2^2 -brane effective action in $E_8 \times E_8$ heterotic theory through the repeated T-duality transformations from that of the $SO(32)$ heterotic five-brane. First, we perform a T-duality transformation along the world-volume direction of the $SO(32)$ heterotic five-brane in order to obtain the $E_8 \times E_8$ heterotic five-brane effective action. The transformation rule is the same one between the type IIA and IIB NS5-branes [31]. Next, we perform two T-duality transformations along transverse directions of the $E_8 \times E_8$ heterotic five-brane. Then, the $U(1)$ part of the $E_8 \times E_8$ heterotic 5_2^2 -brane effective action emerges as

$$\begin{aligned} S_{5_2^2}^{\text{HE8}} &= -T_{5_2^2} \int d^6 \xi e^{-2\phi} (\det h_{IJ}) \\ &\times \sqrt{-\det \left(\tilde{g}_{ab} + \frac{\lambda^2 e^{2\phi} \tilde{F}_a^{(1)} \tilde{F}_b^{(1)}}{\det h_{IJ}} \right)} \sqrt{\det \left(\delta_a^b + \frac{i e^\phi}{3! \tilde{\mathcal{N}} \sqrt{(\det h_{IJ}) (\tilde{\partial} a)^2}} Z_a^b \right)} \\ &- \frac{\lambda^2}{4} T_{5_2^2} \int d^6 \xi \frac{\varepsilon^{abgd' e' f'} \tilde{H}_{d' e' f'} \tilde{H}_{abc} (\partial_g a \partial_d a)}{3! \tilde{\mathcal{N}}^2 (\tilde{\partial} a)^2} \left[\tilde{g}^{cd} - \frac{\lambda^2 e^{2\phi} \tilde{g}^{ce} \tilde{d}f \tilde{F}_e^{(1)} \tilde{F}_f^{(1)}}{\det h_{IJ} + \lambda^2 e^{2\phi} \tilde{g}^{a'b'} \tilde{F}_{a'}^{(1)} \tilde{F}_{b'}^{(1)}} \right] \\ &+ T_{5_2^2} \int_{\mathcal{M}_6} \left(P[i_{k_1} i_{k_2} B^{(8,2)}] + \frac{\lambda^2}{2} F^{(3)} \wedge P[\tilde{B}] \wedge \tilde{F}^{(1)} \right), \end{aligned} \quad (4.5)$$

where we have defined

$$\begin{aligned}
(\widetilde{\partial a})^2 &= \widetilde{g}^{ab} \partial_a a \partial_b a, \\
\widetilde{F}_a^{(1)} &= \partial_a Y, \\
Z_a{}^b &= \frac{\varepsilon^{ghcdef} (\widetilde{g}_{ac} + \lambda^2 e^{2\phi} (\det h_{IJ})^{-1} \widetilde{F}_a^{(1)} \widetilde{F}_b^{(1)}) \widetilde{H}_{def} \partial_g a}{\sqrt{-\det (\widetilde{g}_{a'b'} + \lambda^2 e^{2\phi} (\det h_{IJ})^{-1} \widetilde{F}_{a'}^{(1)} \widetilde{F}_{b'}^{(1)})}}.
\end{aligned} \tag{4.6}$$

In the string duality chains (see Figure 2), we can see that the S^1/\mathbb{Z}_2 compactification of the M5-brane yields the $E_8 \times E_8$ heterotic five-brane [48]. The orbifold compactification of the eleven dimensional supergravity leaves only the NS-NS sector of type IIA supergravity. As far as only the Abelian part is concerned, the $\mathcal{N} = (2, 0)$ tensor multiplet in type IIA theory cannot be distinguished from the combination with $\mathcal{N} = (1, 0)$ tensor multiplet and hypermultiplet in heterotic string theories. Thus the heterotic 5_2^2 -brane effective action can also be given by the truncation of the R-R sector in the type IIA 5_2^2 -brane effective action. Indeed, when all the R-R potentials are dropped out in the type IIA 5_2^2 -brane action (3.36), we obtain the action (4.5).

5 Conclusion and discussions

In this paper we studied the world-volume effective actions of the exotic five-branes in string theories. Through the duality chains, we explicitly write down the world-volume effective actions of the 5_2^2 -brane and the 5_3^2 -brane in type IIB string theory and the 5_2^2 -brane in type IIA string theory. The actions are written in a fully space-time covariant form where the two Killing vectors associated with the isometries of the background fields are manifest.

For type IIB case, the world-volume effective action is governed by the six-dimensional $\mathcal{N} = (1, 1)$ vector multiplet. The action is obtained by the DBI action of the D5-brane with the Wess-Zumino term via S- and T-dualities. The world-volume effective theory consists of four scalar fields $X^1, X^2, \varphi, \varphi'$ and one $U(1)$ gauge field \widetilde{A}_a . The scalar fields X^1, X^2 are fluctuation zero-modes along the two transverse directions of the 5_2^2 -brane and the 5_3^2 -brane. The other scalars φ and φ' are associated with the two transverse isometry directions (one from the Taub-NUT isometry direction of the KK-monopole, the other is the additional isometry direction needed for the second T-duality transformation). However, the latter two scalars are not the fluctuation modes since these directions correspond to the genuine isometries of the (non-)geometry. For type IIA case, the massless fields of the world-volume effective theory belong to the six-dimensional $\mathcal{N} = (2, 0)$ tensor multiplet. There are five scalar fields $Y, X^1, X^2, \varphi, \varphi'$ and one self-dual two-form gauge field \widetilde{A}_{ab} . The action is written in the space-time covariant form and also has the manifestly Lorentz invariant expression with the help of the auxiliary field a . The action is obtained from the PST action of the M5-brane in eleven dimensions through the direct dimensional reduction and T-dualities. The scalar field Y is originated via the compactification from $D = 11$ to $D = 10$. The two scalars $X^1,$

X^2 are two transverse fluctuation modes of the IIA 5_2^2 -brane and two scalars φ, φ' correspond to two isometry directions.

The exotic branes are sources of the non-geometric flux (the Q-flux [3], or the mixed-symmetry tensor [29, 12]). As discussed in [25], the top couplings of the Wess-Zumino terms of the effective actions are given by the Q-fluxes $B^{(8,2)}$ and $C^{(8,2)}$. The gauge transformations of the Q-fluxes are determined such that the Wess-Zumino term is invariant under the transformations of the NS-NS B -field and the R-R potentials.

We also discussed the exotic five-branes in type I and heterotic string theories. Remarkably, the gauge groups of the world-volume effective theories are non-Abelian. We presented a $U(1)$ sector of the effective actions of the 5_3^2 -brane in type I and the 5_2^2 -branes in $SO(32)$, $E_8 \times E_8$ heterotic theories. Geometrically, this would correspond to the neutral solution of the five-branes where the $SO(32)$ or $E_8 \times E_8$ gauge field is turned off. Although we considered only a $U(1)$ part of the world-volume actions in these theories, it is important to bear in mind that the non-Abelian gauge fields and hypermultiplets, that transforms as appropriate representations of the gauge groups, need to be incorporated for consistent anomaly free theories.

In this paper, we determined the bosonic part of the world-volume effective actions of the exotic five-branes. Since the effective theories in this paper preserve eight or sixteen supercharges, the fermion terms are necessary to exhibit the kappa-symmetry. Although one of the specific properties of the exotic branes is its global monodromy, the world-volume effective actions studied in this paper seem not to capture that. This is because the brane effective actions possess only the local dynamics (brane fluctuation) near the center of the position of the branes. In order to explore the global aspects around the exotic branes, it would be important to study intersecting configurations of (exotic) branes. These are realized as BPS states in the world-volume theory. Co-dimension two branes (known as defect branes) are not well-defined finite energy solutions as the stand alone objects. It is also important to study the effective actions including other duality branes. We will come back to these issues in future researches.

Acknowledgements

The authors would like to thank Masaki Shigemori for discussions. They would also like to thank Yolanda Lozano for information on world-volume theories of exotic branes with two isometries. They are grateful to the Yukawa Institute for Theoretical Physics at Kyoto University. Discussions during the YITP molecule-type workshop on ‘‘Exotic Structures of Spacetime’’ (YITP-T-13-07) were useful to complete this work. The work of TK is supported in part by the Iwanami-Fujukai Foundation. The work of SS is supported in part by Kitasato University Research Grant for Young Researchers.

Appendix

A Conventions and notations of $D = 10$ supergravity

We use the conventions employed in [49] where the gauge transformations of the NS-NS and R-R fields leave the standard Wess-Zumino term in the D-brane world-volume theory invariant.

We start from the $D = 11$ supergravity action:

$$S^{(11)} = \frac{1}{2\kappa_{11}^2} \int d^{11}x \sqrt{-\widehat{g}} \left(\widehat{R} - \frac{1}{2} |\widehat{F}^{(4)}|^2 \right) - \frac{1}{12\kappa_{11}^2} \int \widehat{C}^{(3)} \wedge \widehat{F}^{(4)} \wedge \widehat{F}^{(4)}, \quad (\text{A.1})$$

where the fields with the hat symbol stand for the eleven dimensional quantities. κ_{11} is the eleven dimensional gravitational constant, \widehat{g}_{MN} ($M, N = 0, \dots, 10$) is the eleven dimensional metric, \widehat{R} is the Ricci scalar, $\widehat{C}^{(3)}$ is the three-form potential and $\widehat{F}^{(4)} = d\widehat{C}^{(3)}$ is its field strength. We adopt the convention $|\widehat{F}^{(p)}|^2 = \frac{1}{p!} \widehat{F}_{M_1 \dots M_p} \widehat{F}^{M_1 \dots M_p}$.

The $D = 10$ type IIA supergravity action is obtained by the dimensional reduction of $S^{(11)}$. The KK ansatz is

$$\widehat{g}_{MN} = \begin{pmatrix} e^{-\frac{2}{3}\phi} g_{\mu\nu} + e^{\frac{4}{3}\phi} C_\mu^{(1)} C_\nu^{(1)} & e^{\frac{4}{3}\phi} C_\mu^{(1)} \\ e^{\frac{4}{3}\phi} C_\nu^{(1)} & e^{\frac{4}{3}\phi} \end{pmatrix}, \quad (\text{A.2})$$

where $\mu, \nu = 0, \dots, 9$ are space-time indices in ten dimensions. The fields $g_{\mu\nu}$, ϕ and $C_\mu^{(1)}$ are the space-time metric, the dilaton, and the R-R one-form potential in ten dimensions, respectively. The ten-dimensional type IIA supergravity action is given by

$$S_{\text{IIA}} = \frac{1}{2\kappa_{10}^2} \int d^{10}x \sqrt{-g} e^{-2\phi} \left(R + 4(\partial_\mu \phi)^2 - \frac{1}{2} |H^{(3)}|^2 \right) - \frac{1}{4\kappa_{10}^2} \int d^{10}x \sqrt{-g} \left(|G^{(2)}|^2 + |G^{(4)}|^2 \right) - \frac{1}{4\kappa_{10}^2} \int B \wedge F^{(4)} \wedge F^{(4)}, \quad (\text{A.3})$$

where the modified field strengths are defined by

$$\begin{aligned} F^{(2)} &= dC^{(1)}, & H^{(3)} &= dB, & F^{(4)} &= dC^{(3)}, \\ G^{(2)} &= F^{(2)}, & G^{(4)} &= F^{(4)} + H^{(3)} \wedge C^{(1)}. \end{aligned} \quad (\text{A.4})$$

Here $C^{(n)}$ is the R-R n -form potential and $F^{(n+1)} = dC^{(n)}$ is its field strength. $H^{(3)} = dB$ is the field strength of the NS-NS B -field, and R is the Ricci scalar in ten dimensions. The equations of motion for the R-R fields are

$$\begin{aligned} \delta C^{(1)} : & \quad 0 = d(*_{10}G^{(2)}) - H^{(3)} \wedge *_{10}G^{(4)}, \\ \delta C^{(3)} : & \quad 0 = d(*_{10}G^{(4)}) - H^{(3)} \wedge G^{(4)}. \end{aligned} \quad (\text{A.5})$$

Here $*_{10}$ is the Hodge dual operator in ten dimensions. The Bianchi identities are

$$dH^{(3)} = dF^{(2)} = 0, \quad dG^{(4)} = -H^{(3)} \wedge G^{(2)}. \quad (\text{A.6})$$

We define the dual field strengths of the R-R fields as

$$G^{(8)} = *_{10}G^{(2)}, \quad G^{(6)} = -*_{10}G^{(4)}. \quad (\text{A.7})$$

The equations of motion (A.5) become the Bianchi identities for the dual fields,

$$dG^{(6)} = -H^{(3)} \wedge G^{(4)}, \quad dG^{(8)} = -H^{(3)} \wedge G^{(6)}. \quad (\text{A.8})$$

The modified field strengths that satisfy the Bianchi identities (A.8) are given by

$$G^{(6)} = F^{(6)} + H^{(3)} \wedge C^{(3)}, \quad G^{(8)} = F^{(8)} + H^{(3)} \wedge C^{(5)}. \quad (\text{A.9})$$

The equation of motion for B is

$$\delta B : 0 = d(e^{-2\phi} *_{10}H^{(3)}) - G^{(2)} \wedge *_{10}G^{(4)} - \frac{1}{2}G^{(4)} \wedge G^{(4)}. \quad (\text{A.10})$$

We define the dual field strength of the NS-NS B -field as

$$\check{H}^{(7)} = e^{-2\phi} *_{10}H^{(3)}. \quad (\text{A.11})$$

Then the equation of motion (A.10) becomes the Bianchi identity for $\check{H}^{(7)}$:

$$d\check{H}^{(7)} + G^{(2)} \wedge G^{(6)} - \frac{1}{2}G^{(4)} \wedge G^{(4)} = 0. \quad (\text{A.12})$$

Therefore the dual field strength $\check{H}^{(7)}$ that satisfies the Bianchi identity (A.12) is given by

$$\check{H}^{(7)} = dB^{(6)} - \frac{1}{2}G^{(2)} \wedge C^{(5)} + \frac{1}{2}G^{(4)} \wedge C^{(3)} - \frac{1}{2}G^{(6)} \wedge C^{(1)}. \quad (\text{A.13})$$

The gauge transformations are defined such that the modified field strengths are invariant. The explicit expressions of the transformation rules are found to be as follows:

$$\begin{aligned} \delta B &= d\Lambda^{(1)}, \\ \delta B^{(6)} &= d\Lambda^{(5)} + \frac{1}{2}C^{(1)} \wedge d\lambda^{(4)} - \frac{1}{2}\left(C^{(3)} + C^{(1)} \wedge B\right) \wedge d\lambda^{(2)} \\ &\quad + \frac{1}{2}\left(C^{(5)} + C^{(3)} \wedge B + \frac{1}{2}C^{(1)} \wedge B \wedge B\right) \wedge d\lambda^{(0)}, \\ \delta C^{(1)} &= d\lambda^{(0)}, \\ \delta C^{(3)} &= d\lambda^{(2)} - B \wedge d\lambda^{(0)}, \\ \delta C^{(5)} &= d\lambda^{(4)} - B \wedge d\lambda^{(2)} + \frac{1}{2!}B \wedge B \wedge d\lambda^{(0)}, \\ \delta C^{(7)} &= d\lambda^{(6)} - B \wedge d\lambda^{(4)} + \frac{1}{2!}B \wedge B \wedge d\lambda^{(2)} - \frac{1}{3!}B \wedge B \wedge B \wedge d\lambda^{(0)}. \end{aligned} \quad (\text{A.14})$$

Here $\Lambda^{(1)}, \Lambda^{(5)}, \lambda^{(n)}$ ($n = 0, 2, 4, 6$) are gauge parameters. The transformation rules of the R-R fields are summarized as

$$\delta C^{(p)} = \sum_p d\lambda^{(n)} \wedge e^{-B}, \quad (\text{A.15})$$

which leave the Wess-Zumino term in the D-brane world-volume theory invariant.

The ten-dimensional type IIB supergravity action is given by

$$\begin{aligned}
S_{\text{IIB}} = & \frac{1}{2\kappa_{10}^2} \int d^{10}x \sqrt{-g} e^{-2\phi} \left(R + 4(\partial_\mu \phi)^2 - \frac{1}{2}|H^{(3)}|^2 \right) \\
& - \frac{1}{4\kappa_{10}^2} \int d^{10}x \sqrt{-g} \left(|G^{(1)}|^2 + |G^{(3)}|^2 + \frac{1}{2}|G^{(5)}|^2 \right) \\
& + \frac{1}{4\kappa_{10}^2} \int \left(C^{(4)} + \frac{1}{2}B \wedge C^{(2)} \right) \wedge H^{(3)} \wedge F^{(3)}. \tag{A.16}
\end{aligned}$$

Note that, in contrast to the ones in [49], we change the sign in front of the Chern-Simons term. The modified field strengths are given by

$$G^{(1)} = F^{(1)}, \quad G^{(3)} = F^{(3)} + H^{(3)}C^{(0)}, \quad G^{(5)} = F^{(5)} + H^{(3)} \wedge C^{(2)}. \tag{A.17}$$

In addition, at the level of the equation of motion, we impose the self-duality condition on $G^{(5)}$:

$$G^{(5)} = *_{10}G^{(5)}. \tag{A.18}$$

The equations of motion for the R-R fields are

$$\begin{aligned}
\delta C^{(0)} : \quad 0 &= d(*_{10}G^{(1)}) + *_{10}G^{(3)} \wedge H^{(3)}, \\
\delta C^{(2)} : \quad 0 &= d(*_{10}G^{(3)}) + *_{10}G^{(5)} \wedge H^{(3)}, \\
\delta C^{(4)} : \quad 0 &= d(*_{10}G^{(5)}) + H^{(3)} \wedge G^{(3)}. \tag{A.19}
\end{aligned}$$

The last equation is automatically satisfied when the self-duality condition (A.18) is imposed. The Bianchi identities are

$$dH^{(3)} = 0, \quad dG^{(1)} = 0, \quad dG^{(3)} = -H^{(3)} \wedge G^{(1)}, \quad dG^{(5)} = -H^{(3)} \wedge G^{(3)}. \tag{A.20}$$

The dual fields are defined as

$$G^{(7)} = -*_{10}G^{(3)}, \quad G^{(9)} = *_{10}G^{(1)}. \tag{A.21}$$

The Bianchi identities for the dual fields are

$$dG^{(9)} = -H^{(3)} \wedge G^{(7)}, \quad dG^{(7)} = -H^{(3)} \wedge G^{(5)}. \tag{A.22}$$

The modified field strengths of the dual fields that satisfy the Bianchi identities are found to be

$$\begin{aligned}
G^{(7)} &= dC^{(6)} + H^{(3)} \wedge C^{(4)}, \\
G^{(9)} &= dC^{(8)} + H^{(3)} \wedge C^{(6)}. \tag{A.23}
\end{aligned}$$

The equation of motion for the NS-NS B -field is

$$0 = d(e^{-2\phi} *_{10}H^{(3)}) + G^{(1)} \wedge *_{10}G^{(3)} + G^{(3)} \wedge *_{10}G^{(5)}. \tag{A.24}$$

This gives the Bianchi identity for the dual field:

$$d\check{H}^{(7)} - G^{(1)} \wedge G^{(7)} + G^{(3)} \wedge G^{(5)} = 0. \quad (\text{A.25})$$

Then the dual field strength is given by

$$\check{H}^{(7)} = dB^{(6)} + C^{(4)} \wedge F^{(3)} - \frac{1}{2}C^{(2)} \wedge C^{(2)} \wedge H^{(3)} + C^{(0)}G^{(7)}. \quad (\text{A.26})$$

The gauge transformations are defined such that the modified field strengths are invariant:

$$\begin{aligned} \delta B &= d\Lambda^{(1)}, \\ \delta B^{(6)} &= d\Lambda^{(5)} - d\lambda^{(3)} \wedge C^{(2)} + d\lambda^{(1)} \wedge B \wedge C^{(2)}, \\ \delta C^{(0)} &= 0, \\ \delta C^{(2)} &= d\lambda^{(1)}, \\ \delta C^{(4)} &= d\lambda^{(3)} - B \wedge d\lambda^{(1)}, \\ \delta C^{(6)} &= d\lambda^{(5)} - B \wedge d\lambda^{(3)} + \frac{1}{2}B \wedge B \wedge d\lambda^{(1)}, \\ \delta C^{(8)} &= d\lambda^{(7)} - B \wedge d\lambda^{(5)} + \frac{1}{2}B \wedge B \wedge d\lambda^{(3)} - \frac{1}{3!}B \wedge B \wedge B \wedge d\lambda^{(1)}. \end{aligned} \quad (\text{A.27})$$

Here $\lambda^{(n)}$ ($n = 1, 3, 5, 7$) are gauge parameter n -forms. Hence the gauge transformations of the R-R fields are

$$\delta C^{(p)} = \sum_p d\lambda^{(n)} \wedge e^{-B}. \quad (\text{A.28})$$

Again, these gauge transformations leave the Wess-Zumino term in the D-brane world-volume action invariant. The type IIB supergravity has the $SL(2, \mathbb{R})$ symmetry:

$$\begin{aligned} g_{\mu\nu} &\rightarrow |\tau| g_{\mu\nu}, \\ \tau &\rightarrow -\frac{1}{\tau}, \quad C^{(0)} \rightarrow -\frac{C^{(0)}}{|\tau|^2}, \quad e^{-\phi} \rightarrow \frac{e^{-\phi}}{|\tau|^2}, \\ F_3^i &\rightarrow \Lambda^i_j F_3^j, \quad \Lambda^i_j = \begin{pmatrix} 0 & -1 \\ 1 & 0 \end{pmatrix} \in SL(2, \mathbb{R}), \\ C^{(2)} &\rightarrow B, \quad B \rightarrow -C^{(2)}, \quad C^{(4)} \rightarrow C^{(4)} + C^{(2)} \wedge B, \end{aligned} \quad (\text{A.29})$$

where we have defined

$$\begin{aligned} \tau &= C^{(0)} + ie^{-\phi}, \quad |\tau|^2 = (C^{(0)})^2 + e^{-2\phi}, \\ M_{ij} &= \frac{1}{\text{Im}\tau} \begin{pmatrix} |\tau|^2 & -\text{Re}\tau \\ -\text{Re}\tau & 1 \end{pmatrix} = e^\phi \begin{pmatrix} (C^{(0)})^2 + e^{-2\phi} & -C^{(0)} \\ -C^{(0)} & 1 \end{pmatrix}, \\ F_3^i &= \begin{pmatrix} H^{(3)} \\ F^{(3)} \end{pmatrix}. \end{aligned} \quad (\text{A.30})$$

This is nothing but the S-duality symmetry. The S-duality transformations of the dual fields are

$$\begin{aligned} C^{(6)} &\rightarrow -B^{(6)} + \frac{1}{2}B \wedge C^{(2)} \wedge C^{(2)}, \\ B^{(6)} &\rightarrow C^{(6)} - \frac{1}{2}C^{(2)} \wedge B \wedge B. \end{aligned} \tag{A.31}$$

Under the S-duality, D5-branes transform to NS5-branes. One can confirm that the transformation rules given above provide the correct gauge invariant Wess-Zumino term of the NS5-brane in the world-volume effective action.

B Covariant T-duality transformation rules for supergravity fields

In this appendix, we provide the space-time covariant expressions of the T-duality Buscher rule [28] for the NS-NS and R-R fields.

B.1 NS-NS sector

The string world-sheet sigma model action is given by

$$S = -\frac{1}{2\pi\alpha'} \int d^2\sigma \sqrt{-\gamma} \left[(\gamma^{ab} g_{\mu\nu} + \epsilon^{ab} B_{\mu\nu}) \partial_a X^\mu \partial_b X^\nu \right], \tag{B.1}$$

where γ_{ab} is the world-sheet metric, while $g_{\mu\nu}$, $B_{\mu\nu}$ are the background space-time metric and the NS-NS B -field. We have omitted the coupling to the dilaton term for simplicity. The background fields $g_{\mu\nu}$ and $B_{\mu\nu}$ have isometries $X^\mu \rightarrow X^\mu + \eta^I k_I^\mu$ ($I = 1, \dots, N$) generated by the Killing vectors k_I^μ . Here η^I are the transformation parameters. Now we gauge the isometry on the world-sheet. Then the world-sheet action becomes

$$S_{\text{gauged}} = -\frac{1}{2\pi\alpha'} \int d^2\sigma \sqrt{-\gamma} \left(\gamma^{ab} g_{\mu\nu} + \epsilon^{ab} B_{\mu\nu} \right) D_a X^\mu D_b X^\nu + \frac{1}{2\pi\alpha'} \int d^2\sigma \lambda \epsilon^{ab} \varphi_I F_{ab}^I, \tag{B.2}$$

where $D_a X^\mu = \partial_a X^\mu + C_a^I k_I^\mu$ is the gauge covariant derivative and $\epsilon^{ab} = \sqrt{-\gamma} \epsilon^{ab}$ is the Levi-Civita antisymmetric symbol. Here we introduced Lagrange multipliers φ^I to ensure that the auxiliary gauge field C_a^I takes valued in the trivial homotopy class $F_{ab}^I = \partial_a C_b^I - \partial_b C_a^I = 0$. The equation of motion for C_a^I is

$$\left(\gamma^{ab} k_I^\mu g_{\mu\nu} + \epsilon^{ab} k_I^\mu B_{\mu\nu} \right) k_J^\nu C_b^J = - \left(\gamma^{ab} k_I^\mu g_{\mu\nu} + \epsilon^{ab} k_I^\mu B_{\mu\nu} \right) \partial_b X^\nu + \lambda \epsilon^{ab} \partial_b \varphi. \tag{B.3}$$

We consider the case where one Killing vector k^μ exists. Then the solution is

$$C_a = -\frac{1}{k^2} \left(\delta_a^b (i_k g)_\mu + \gamma_{ac} \epsilon^{cb} (i_k B - \lambda d\varphi)_\mu \right) \partial_b X^\mu, \tag{B.4}$$

where

$$k^2 = g_{\mu\nu} k^\mu k^\nu, \quad (i_k g)_\mu = k^\rho g_{\rho\mu}, \quad (i_k B)_\mu = k^\rho B_{\rho\mu}. \tag{B.5}$$

Plugging the solution back into the action, we find

$$S_{\text{gauged}} = -\frac{1}{2\pi\alpha'} \int d^2\sigma \mathcal{L}_{\text{gauged}}, \quad (\text{B.6})$$

where

$$\begin{aligned} \mathcal{L}_{\text{gauged}} = & \sqrt{-\gamma} \gamma^{ab} \left\{ g_{\mu\nu} - \frac{(i_k g)_\mu (i_k g)_\nu - (i_k B - \lambda d\varphi)_\mu (i_k B - \lambda d\varphi)_\nu}{k^2} \right\} \partial_a X^\mu \partial_b X^\nu \\ & + \sqrt{-\gamma} \epsilon^{ab} \left\{ B_{\mu\nu} - \frac{(i_k g)_\mu (i_k B - \lambda d\varphi)_\nu - (i_k B - \lambda d\varphi)_\mu (i_k g)_\nu}{k^2} \right\} \partial_a X^\mu \partial_b X^\nu. \end{aligned} \quad (\text{B.7})$$

The T-duality transformation rule of the dilaton is determined at the one-loop level [28]. Making it covariant form, we obtain the following covariant Buscher rules:

$$\begin{aligned} g'_{\mu\nu} &= g_{\mu\nu} - \frac{(i_k g)_\mu (i_k g)_\nu - (i_k B - \lambda d\varphi)_\mu (i_k B - \lambda d\varphi)_\nu}{k^2}, \\ B'_{\mu\nu} &= B_{\mu\nu} - \frac{(i_k g)_\mu (i_k B - \lambda d\varphi)_\nu - (i_k B - \lambda d\varphi)_\mu (i_k g)_\nu}{k^2}, \\ e^{2\phi'} &= \frac{1}{k^2} e^{2\phi}. \end{aligned} \quad (\text{B.8})$$

For the NS-NS B field, the transformation rule is written as

$$B' = B - \frac{1}{k^2} (i_k g) \wedge (i_k B - \lambda d\varphi), \quad (\text{B.9})$$

where $i_k g$ is treated as a one-form. We note that the field φ is associated with the dual coordinate. Then we find $\lambda k^\mu \partial_\mu \varphi = 1$. In an adapted coordinate $k^\mu = \delta^{\mu y}$, we recover the well-known non-covariant Buscher rule.

The repeated application of the Buscher rule gives

$$\begin{aligned} i_{k_1} g &\xrightarrow{k_2} i_{k_1} g - \frac{1}{(k_2)^2} \left\{ (k_1 \cdot k_2) i_{k_2} g - (i_{k_1} i_{k_2} B) (i_{k_2} B - \lambda d\varphi') \right\}, \\ i_{k_1} B &\xrightarrow{k_2} i_{k_1} B - \frac{1}{(k_2)^2} i_{k_1} (i_{k_2} g \wedge (i_{k_2} B - \lambda d\varphi')), \\ k_1^2 &\xrightarrow{k_2} \frac{\det h_{IJ}}{(k_2)^2}, \quad h_{IJ} = k_I^\mu k_J^\nu (g_{\mu\nu} + B_{\mu\nu}), \quad (I, J = 1, 2). \end{aligned} \quad (\text{B.10})$$

Here the arrow “ $\xrightarrow{k_2}$ ” indicates the T-duality transformation along the isometry generated by the Killing vector k_2^μ . Performing the T-duality transformations along the two isometry directions, we obtain $B \xrightarrow{k_1 k_2} \tilde{B}$ where

$$\tilde{B} = B - \frac{1}{(k_2)^2} (i_{k_2} g) \wedge K^{(1)} - \frac{(k_2)^2}{\det h_{IJ}} K^{(2)} \wedge K^{(3)}. \quad (\text{B.11})$$

Here $K^{(1)}$, $K^{(2)}$, $K^{(3)}$ are given in (3.8).

B.2 R-R sector

For the R-R sector, the T-duality transformation rules of the R-R fields are given in the non-covariant expressions in [29]. We decompose the space-time indices μ into y (i.e., the T-dual direction), and $\hat{\mu}, \hat{\nu}, \dots \neq y$. Then the transformations of the R-R fields are

$$\begin{aligned} C'^{(n)}_{\hat{\mu}_1 \dots \hat{\mu}_{n-2} \hat{\nu} y} &= C_{\hat{\mu}_1 \dots \hat{\mu}_2 \hat{\nu}}^{(n-1)} - \frac{n-1}{g_{yy}} C_{[\hat{\mu}_1 \dots \hat{\mu}_{n-2} | y] g | \hat{\nu}] y}^{(n-1)}, \\ C'^{(n)}_{\hat{\mu}_1 \dots \hat{\mu}_{n-2} \hat{\nu} \hat{\rho}} &= C_{\hat{\mu}_1 \dots \hat{\mu}_{n-2} \hat{\nu} \hat{\rho} y}^{(n+1)} + n C_{[\hat{\mu}_1 \dots \hat{\mu}_{n-2} \hat{\nu} B_{\hat{\rho}}] y}^{(n-1)} + \frac{n(n-1)}{g_{yy}} C_{[\hat{\mu}_1 \dots \hat{\mu}_{n-2} | y] B | \hat{\nu}] y}^{(n-1)} g | \hat{\rho}] y, \end{aligned} \quad (\text{B.12})$$

where the antisymmetric symbol is defined such that $A_{[\mu_1 \dots \mu_n]} = \frac{1}{n!} (A_{\mu_1 \dots \mu_n} \pm (\text{perm}))$. Here (perm) stands for terms with possible permutation of indices. Although these are not covariant forms, the covariant expression of the T-duality transformation for the pull-back of the R-R field is obtained as follows. The pull-back of the R-R field $C_{\mu_1 \dots \mu_n}^{(n)}$ is

$$P[C^{(n)}]_{a_1 \dots a_n} = n! C_{y \hat{\mu}_2 \dots \hat{\mu}_n}^{(n)} \partial_{[a_1} Y \partial_{a_2} X^{\hat{\mu}_2} \dots \partial_{a_n]} X^{\hat{\mu}_n} + C_{\hat{\mu}_1 \dots \hat{\mu}_n}^{(n)} \partial_{a_1} X^{\hat{\mu}_1} \dots \partial_{a_n} X^{\hat{\mu}_n}. \quad (\text{B.13})$$

Here Y is the world-volume scalar field associated with the T-dual direction y . Using the T-duality rule (B.12), $P[C^{(n)}]$ transforms as

$$\begin{aligned} P[C^{(n)'}]_{a_1 \dots a_n} &= n! (-)^{n-1} C_{\hat{\mu}_2 \dots \hat{\mu}_n}^{(n-1)} \partial_{[a_1} Y' \dots \partial_{a_n]} X^{\hat{\mu}_n} \\ &\quad + n! (-)^n (i_k C^{(n+1)})_{\hat{\mu}_1 \dots \hat{\mu}_n} \partial_{[a_1} X^{\hat{\mu}_1} \dots \partial_{a_n]} X^{\hat{\mu}_n} \\ &\quad - n! n C_{[\hat{\mu}_1 \dots \hat{\mu}_{n-1} (i_k B)_{\hat{\mu}_n}] \partial_{[a_1} X^{\hat{\mu}_1} \dots \partial_{a_n]} X^{\hat{\mu}_n} \\ &\quad + n! \frac{n-1}{k^2} (i_k C^{(n-1)})_{[\hat{\mu}_2 \dots \hat{\mu}_{n-1} (i_k g)_{\hat{\mu}_n}] \partial_{[a_1} Y' \dots \partial_{a_n]} X^{\hat{\mu}_n} \\ &\quad - n! (-)^{n-2} \frac{n(n-1)}{k^2} (i_k C^{(n-1)})_{[\hat{\mu}_1 \dots \hat{\mu}_{n-2} (i_k B)_{\hat{\mu}_{n-1}} (i_k g)_{\hat{\mu}_n}] \partial_{[a_1} X^{\hat{\mu}_1} \dots \partial_{a_n]} X^{\hat{\mu}_n}, \end{aligned} \quad (\text{B.14})$$

where we have used the fact that $g_{yy} = k^2$, $C_{\hat{\mu}_1 \dots \hat{\mu}_{n-1} y}^{(n)} = (i_k C^{(n)})_{\hat{\mu}_1 \dots \hat{\mu}_{n-1}}$ and so on. Here we defined the dual coordinate of Y as Y' and $i_k C^{(n)}$ is the interior product of k^μ and $C^{(n)}$. Due to the antisymmetric nature of indices, we can replace $\hat{\mu}$ with μ in the first, second and the fourth lines in (B.14). Careful treatments of terms in the combination of the third and fifth lines in (B.14) allow one to replace the indices $\hat{\mu}$ with μ in these terms. Collecting all together, we find the space-time covariant Buscher rule for the pull-back of R-R fields as follows:

$$\begin{aligned} P[C^{(n)'}]_{a_1 \dots a_n} &= \left[(-)^n (i_k C^{(n+1)})_{\mu_1 \dots \mu_n} - n C_{[\mu_1 \dots \mu_{n-1} (i_k B - \lambda d\varphi)_{\mu_n}] \right. \\ &\quad \left. - (-)^{n-2} \frac{n(n-1)}{k^2} (i_k C^{(n-1)})_{[\mu_1 \dots \mu_{n-2} (i_k B - \lambda d\varphi)_{\mu_{n-1}} (i_k g)_{\mu_n}] \right] \partial_{a_1} X^{\mu_1} \dots \partial_{a_n} X^{\mu_n}, \end{aligned} \quad (\text{B.15})$$

where we have redefined $Y' = \lambda\varphi$. Therefore, the R-R field in the pull-back is transformed as

$$C^{(n)'} = (-)^n i_k C^{(n+1)} - C^{(n-1)} \wedge (i_k B - \lambda d\varphi) - \frac{(-)^{n-2}}{k^2} i_k C^{(n-1)} \wedge (i_k B - \lambda d\varphi) \wedge i_k g. \quad (\text{B.16})$$

Performing the T-duality transformations along the two isometry directions, the R-R potentials become

$$\begin{aligned}\tilde{C}^{(0)} &= -i_{k_1}i_{k_2}(C^{(2)} + C^{(0)}B), \\ \tilde{C}^{(1)} &= -i_{k_1}i_{k_2}C^{(3)} + (i_{k_1}C^{(1)})K^{(1)} - (i_{k_1}i_{k_2}B)C^{(1)} + \frac{1}{(k_2)^2}(i_{k_2}C^{(1)})(i_{k_1}i_{k_2}B)(i_{k_2}g) \\ &\quad - \frac{1}{(k_2)^2}(i_{k_2}C^{(1)})(k_1 \cdot k_2)K^{(1)} - (i_{k_2}C^{(1)})K^{(3)},\end{aligned}\tag{B.17a}$$

$$\begin{aligned}\tilde{C}^{(2)} &= -i_{k_1}i_{k_2}C^{(4)} - (i_{k_1}C^{(2)}) \wedge K^{(1)} - (i_{k_1}i_{k_2}B)C^{(2)} \\ &\quad + \frac{1}{(k_2)^2}(i_{k_1}i_{k_2}C^{(2)})K^{(1)} \wedge (i_{k_2}g) - \frac{1}{(k_2)^2}(i_{k_1}i_{k_2}B)(i_{k_2}C^{(2)}) \wedge (i_{k_2}g) \\ &\quad + \frac{k_1 \cdot k_2}{(k_2)^2}(i_{k_2}C^{(2)}) \wedge K^{(1)} + \left[i_{k_2}C^{(2)} + C^{(0)}K^{(1)} \right] \wedge K^{(3)} \\ &\quad + \frac{(k_2)^2}{\det h_{IJ}} \left[i_{k_1}i_{k_2}(C^{(2)} + C^{(0)}B) \right] K^{(3)} \wedge K^{(2)},\end{aligned}\tag{B.17b}$$

$$\begin{aligned}\tilde{C}^{(3)} &= -i_{k_1}i_{k_2}C^{(5)} + (i_{k_1}C^{(3)}) \wedge K^{(3)} - (i_{k_1}i_{k_2}B)C^{(3)} \\ &\quad + \frac{1}{(k_2)^2}(i_{k_1}i_{k_2}C^{(3)}) \wedge K^{(1)} \wedge (i_{k_2}g) + \frac{1}{(k_2)^2}(i_{k_1}i_{k_2}B)(i_{k_2}C^{(3)}) \wedge (i_{k_2}g) - \frac{k_1 \cdot k_2}{(k_2)^2}(i_{k_2}C^{(3)}) \wedge K^{(1)} \\ &\quad - \left[i_{k_2}C^{(3)} - C^{(1)} \wedge K^{(1)} - \frac{1}{(k_2)^2}(i_{k_2}C^{(1)})K^{(1)} \wedge (i_{k_2}g) \right] \wedge K^{(3)} \\ &\quad + \frac{(k_2)^2}{\det h_{IJ}} \left[i_{k_1}i_{k_2}C^{(3)} - (i_{k_2}C^{(1)})K^{(1)} + (i_{k_1}i_{k_2}B)C^{(1)} - \frac{1}{(k_2)^2}(i_{k_2}C^{(1)})(i_{k_1}i_{k_2}B)(i_{k_2}g) \right. \\ &\quad \left. + \frac{1}{(k_2)^2}(i_{k_2}C^{(1)})(k_1 \cdot k_2)K^{(1)} \right] \wedge K^{(3)} \wedge K^{(2)},\end{aligned}\tag{B.17c}$$

and

$$\begin{aligned}\tilde{C}^{(4)} &= -i_{k_1}i_{k_2}C^{(6)} - (i_{k_1}C^{(4)}) \wedge K^{(1)} - (i_{k_1}i_{k_2}B)C^{(4)} \\ &\quad + \frac{1}{(k_2)^2}(i_{k_1}i_{k_2}C^{(4)}) \wedge K^{(1)} \wedge (i_{k_2}g) - \frac{1}{(k_2)^2}(i_{k_1}i_{k_2}B)(i_{k_2}C^{(4)}) \wedge (i_{k_2}g) + \frac{k_1 \cdot k_2}{(k_2)^2}(i_{k_2}C^{(4)}) \wedge K^{(1)} \\ &\quad + \left[i_{k_2}C^{(4)} + C^{(2)} \wedge K^{(1)} - \frac{1}{(k_2)^2}(i_{k_2}C^{(2)}) \wedge K^{(1)} \wedge (i_{k_2}g) \right] \wedge K^{(3)} \\ &\quad + \frac{(k_2)^2}{\det h_{IJ}} \left\{ i_{k_1}i_{k_2}C^{(4)} + (i_{k_1}C^{(2)}) \wedge K^{(1)} + (i_{k_1}i_{k_2}B)C^{(2)} - \frac{1}{(k_2)^2}(i_{k_1}i_{k_2}C^{(2)})K^{(1)} \wedge i_{k_2}g \right. \\ &\quad \left. + \frac{1}{(k_2)^2}(i_{k_1}i_{k_2}B)(i_{k_2}C^{(2)}) \wedge (i_{k_2}g) - \frac{k_1 \cdot k_2}{(k_2)^2}(i_{k_2}C^{(2)}) \wedge K^{(1)} \right\} \wedge K^{(3)} \wedge K^{(2)},\end{aligned}\tag{B.18a}$$

$$\begin{aligned}\tilde{C}^{(5)} &= -i_{k_1}i_{k_2}C^{(7)} + (i_{k_1}C^{(5)}) \wedge K^{(1)} - (i_{k_1}i_{k_2}B)C^{(5)} \\ &\quad + \frac{1}{(k_2)^2}(i_{k_1}i_{k_2}C^{(5)}) \wedge K^{(1)} \wedge (i_{k_2}g) + \frac{1}{(k_2)^2}(i_{k_1}i_{k_2}B)(i_{k_2}C^{(5)}) \wedge (i_{k_2}g) - \frac{k_1 \cdot k_2}{(k_2)^2}(i_{k_2}C^{(5)}) \wedge K^{(1)} \\ &\quad - \left[i_{k_2}C^{(5)} - C^{(3)} \wedge K^{(1)} - \frac{1}{(k_2)^2}(i_{k_2}C^{(3)}) \wedge K^{(1)} \wedge (i_{k_2}g) \right] \wedge K^{(3)}\end{aligned}$$

$$\begin{aligned}
& + \frac{(k_2)^2}{\det h_{IJ}} \left[i_{k_1} i_{k_2} C^{(5)} - (i_{k_1} C^{(3)}) \wedge K^{(1)} + (i_{k_1} i_{k_2} B) C^{(3)} - \frac{1}{(k_2)^2} (i_{k_1} i_{k_2} C^{(3)}) \wedge K^{(1)} \wedge (i_{k_2} g) \right. \\
& \quad \left. - \frac{1}{(k_2)^2} (i_{k_1} i_{k_2} B) (i_{k_2} C^{(3)}) \wedge (i_{k_2} g) + \frac{k_1 \cdot k_2}{(k_2)^2} (i_{k_2} C^{(3)}) \wedge K^{(1)} \right] \wedge K^{(3)} \wedge K^{(1)}.
\end{aligned} \tag{B.18b}$$

Note that these transformation rules hold true only in the pull-back.

Finally, we exhibit the NS-NS B -field and the R-R fields that appear in the effective action of the type IIB 5_2^2 -brane. They are obtained by the S-duality transformations of the fields \tilde{B} , $\tilde{C}^{(2)}$, $\tilde{C}^{(4)}$. Again in the pull-back, the explicit forms are found to be

$$\tilde{B}' = -C^{(2)} + \frac{1}{(k_2)^2} (i_{k_2} g) \wedge L^{(1)} + \frac{(k_2)^2}{\det l_{IJ}} L^{(2)} \wedge L^{(3)}, \tag{B.19a}$$

$$\begin{aligned}
\tilde{C}^{(2)'} & = -i_{k_1} i_{k_2} (C^{(4)} + C^{(2)} \wedge B) + (i_{k_1} B) \wedge L^{(1)} + (i_{k_1} i_{k_2} C^{(2)}) B - \frac{1}{(k_2)^2} (i_{k_1} i_{k_2} B) L^{(1)} \wedge (i_{k_2} g) \\
& + \frac{1}{(k_2)^2} (i_{k_1} i_{k_2} C^{(2)}) (i_{k_2} B) \wedge (i_{k_2} g) - \frac{k_1 \cdot k_2}{(k_2)^2} (i_{k_2} B) \wedge L^{(1)} - (i_{k_2} B - C^{(0)} L^{(1)}) \wedge L^{(3)} \\
& - \frac{(k_2)^2}{\det l_{IJ}} \left(i_{k_1} i_{k_2} (B - C^{(0)} C^{(2)}) L^{(3)} \wedge L^{(2)} \right),
\end{aligned} \tag{B.19b}$$

$$\begin{aligned}
\tilde{C}^{(4)'} & = i_{k_1} i_{k_2} \left(B^{(6)} - \frac{1}{2} B \wedge C^{(2)} \wedge C^{(2)} \right) + i_{k_1} \left(C^{(4)} + C^{(2)} \wedge B \right) \wedge L^{(1)} + (i_{k_1} i_{k_2} C^{(2)}) (C^{(4)} + C^{(2)} \wedge B) \\
& - \frac{1}{(k_2)^2} i_{k_1} i_{k_2} (C^{(4)} + C^{(2)} \wedge B) \wedge L^{(1)} \wedge i_{k_2} g + \frac{1}{(k_2)^2} (i_{k_1} i_{k_2} C^{(2)}) i_{k_2} (C^{(4)} + C^{(2)} \wedge B) \wedge i_{k_2} g \\
& - \frac{k_1 \cdot k_2}{(k_2)^2} i_{k_2} (C^{(4)} + C^{(2)} \wedge B) \wedge L^{(1)} \\
& - \left[i_{k_2} (C^{(4)} + C^{(2)} \wedge B) - B \wedge L^{(1)} + \frac{1}{(k_2)^2} (i_{k_2} B) \wedge L^{(1)} \wedge i_{k_2} g \right] \wedge L^{(3)} \\
& - \frac{(k_2)^2}{\det l_{IJ}} \left[i_{k_1} i_{k_2} (C^{(4)} + C^{(2)} \wedge B) - (i_{k_1} B) \wedge L^{(1)} - (i_{k_1} i_{k_2} C^{(2)}) B + \frac{1}{(k_2)^2} (i_{k_1} i_{k_2} B) L^{(1)} \wedge i_{k_2} g \right. \\
& \quad \left. - \frac{1}{(k_2)^2} (i_{k_1} i_{k_2} C^{(2)}) B \wedge i_{k_2} g + \frac{k_1 \cdot k_2}{(k_2)^2} (i_{k_2} B) \wedge L^{(1)} \right] \wedge L^{(3)} \wedge L^{(2)}.
\end{aligned} \tag{B.19c}$$

References

- [1] E. Eyras and Y. Lozano, *Exotic branes and nonperturbative seven-branes*, Nucl. Phys. B **573** (2000) 735 [hep-th/9908094].
- [2] J. de Boer and M. Shigemori, *Exotic branes and non-geometric backgrounds*, Phys. Rev. Lett. **104** (2010) 251603 [arXiv:1004.2521 [hep-th]].
- [3] F. Haßler and D. Lüst, *Non-commutative/non-associative IIA (IIB) Q- and R-branes and their intersections*, JHEP **1307** (2013) 048 [arXiv:1303.1413 [hep-th]].

- [4] S. Elitzur, A. Giveon, D. Kutasov and E. Rabinovici, *Algebraic aspects of matrix theory on T^d* , Nucl. Phys. B **509** (1998) 122 [hep-th/9707217].
- [5] N. A. Obers and B. Pioline, *U-duality and M-theory*, Phys. Rept. **318** (1999) 113 [hep-th/9809039].
- [6] T. Kikuchi, T. Okada and Y. Sakatani, *Rotating string in doubled geometry with generalized isometries*, Phys. Rev. D **86** (2012) 046001 [arXiv:1205.5549 [hep-th]].
- [7] J. de Boer and M. Shigemori, *Exotic branes in string theory*, Phys. Rept. **532** (2013) 65 [arXiv:1209.6056 [hep-th]].
- [8] C. M. Hull, *A geometry for non-geometric string backgrounds*, JHEP **0510** (2005) 065 [hep-th/0406102].
- [9] A. Dabholkar and C. Hull, *Duality twists, orbifolds, and fluxes*, JHEP **0309** (2003) 054 [hep-th/0210209].
- [10] S. Kachru, M. B. Schulz, P. K. Tripathy and S. P. Trivedi, *New supersymmetric string compactifications*, JHEP **0303** (2003) 061 [hep-th/0211182].
- [11] E. Lozano-Tellechea and T. Ortin, *7-branes and higher Kaluza-Klein branes*, Nucl. Phys. B **607** (2001) 213 [hep-th/0012051].
- [12] E. A. Bergshoeff and F. Riccioni, *String solitons and T-duality*, JHEP **1105** (2011) 131 [arXiv:1102.0934 [hep-th]].
- [13] E. A. Bergshoeff, T. Ortin and F. Riccioni, *Defect branes*, Nucl. Phys. B **856** (2012) 210 [arXiv:1109.4484 [hep-th]].
- [14] E. A. Bergshoeff, A. Kleinschmidt and F. Riccioni, *Supersymmetric domain walls*, Phys. Rev. D **86** (2012) 085043 [arXiv:1206.5697 [hep-th]].
- [15] T. Kimura and S. Sasaki, *Gauged linear sigma model for exotic five-brane*, Nucl. Phys. B **876** (2013) 493 [arXiv:1304.4061 [hep-th]].
- [16] T. Kimura and S. Sasaki, *Worldsheet instanton corrections to 5_2^2 -brane geometry*, JHEP **1308** (2013) 126 [arXiv:1305.4439 [hep-th]].
- [17] T. Kimura and S. Sasaki, *Worldsheet description of exotic five-brane with two gauged isometries*, JHEP **1403** (2014) 128 [arXiv:1310.6163 [hep-th]].
- [18] C. M. Hull, *Doubled geometry and T-folds*, JHEP **0707** (2007) 080 [hep-th/0605149].
- [19] C. Albertsson, T. Kimura and R. A. Reid-Edwards, *D-branes and doubled geometry*, JHEP **0904** (2009) 113 [arXiv:0806.1783 [hep-th]].

- [20] C. M. Hull and B. Zwiebach, *Double field theory*, JHEP **0909** (2009) 099 [arXiv:0904.4664 [hep-th]].
- [21] C. Albertsson, S. -H. Dai, P. -W. Kao and F. -L. Lin, *Double field theory for double D-branes*, JHEP **1109** (2011) 025 [arXiv:1107.0876 [hep-th]].
- [22] O. Hohm, D. Lüst and B. Zwiebach, *The spacetime of double field theory: review, remarks, and outlook*, Fortsch. Phys. **61** (2013) 926 [arXiv:1309.2977 [hep-th]].
- [23] D. Andriot and A. Betz, *NS-branes, source corrected Bianchi identities, and more on backgrounds with non-geometric fluxes*, arXiv:1402.5972 [hep-th].
- [24] J. Berkeley, D. S. Berman and F. J. Rudolph, *Strings and branes are waves*, arXiv:1403.7198 [hep-th].
- [25] A. Chatzistavrakidis, F. F. Gautason, G. Moutsopoulos and M. Zagermann, *Effective actions of non-geometric fivebranes*, Phys. Rev. D **89** (2014) 066004 [arXiv:1309.2653 [hep-th]].
- [26] R. Gregory, J. A. Harvey and G. W. Moore, *Unwinding strings and T-duality of Kaluza-Klein and H-monopoles*, Adv. Theor. Math. Phys. **1** (1997) 283 [hep-th/9708086].
- [27] C. G. Callan, Jr., J. A. Harvey and A. Strominger, *Worldbrane actions for string solitons*, Nucl. Phys. B **367** (1991) 60.
- [28] T. H. Buscher, *A symmetry of the string background field equations*, Phys. Lett. B **194** (1987) 59.
- [29] P. Meessen and T. Ortin, *An $SL(2, \mathbb{Z})$ multiplet of nine-dimensional type II supergravity theories*, Nucl. Phys. B **541** (1999) 195 [hep-th/9806120].
- [30] C. M. Hull, *Gravitational duality, branes and charges*, Nucl. Phys. B **509** (1998) 216 [hep-th/9705162].
- [31] E. Eyras, B. Janssen and Y. Lozano, *Five-branes, KK-monopoles and T-duality*, Nucl. Phys. B **531** (1998) 275 [hep-th/9806169].
- [32] E. Bergshoeff, B. Janssen and T. Ortin, *Kaluza-Klein monopoles and gauged sigma models*, Phys. Lett. B **410** (1997) 131 [hep-th/9706117].
- [33] P. Pasti, D. P. Sorokin and M. Tonin, *Covariant action for a $D = 11$ five-brane with the chiral field*, Phys. Lett. B **398** (1997) 41 [hep-th/9701037].
- [34] I. A. Bandos, A. Nurmagambetov and D. P. Sorokin, *The type IIA NS5-brane*, Nucl. Phys. B **586** (2000) 315 [hep-th/0003169].

- [35] C. Angelantonj and A. Sagnotti, *Open strings*, Phys. Rept. **371** (2002) 1 [Erratum-ibid. **376** (2003) 339] [hep-th/0204089].
- [36] C. G. Callan, Jr., J. A. Harvey and A. Strominger, *Worldsheet approach to heterotic instantons and solitons*, Nucl. Phys. B **359** (1991) 611.
- [37] J. M. Izquierdo and P. K. Townsend, *Axionic defect anomalies and their cancellation*, Nucl. Phys. B **414** (1994) 93 [hep-th/9307050].
- [38] J. D. Blum and J. A. Harvey, *Anomaly inflow for gauge defects*, Nucl. Phys. B **416** (1994) 119 [hep-th/9310035].
- [39] E. Witten, *Small instantons in string theory*, Nucl. Phys. B **460** (1996) 541 [hep-th/9511030].
- [40] O. J. Ganor and A. Hanany, *Small E_8 instantons and tensionless noncritical strings*, Nucl. Phys. B **474** (1996) 122 [hep-th/9602120].
- [41] J. Mourad, *Anomalies of the $SO(32)$ five-brane and their cancellation*, Nucl. Phys. B **512** (1998) 199 [hep-th/9709012].
- [42] T. Kimura and S. Mizoguchi, *Chiral zero modes on intersecting heterotic 5-branes*, Class. Quant. Grav. **27** (2010) 185023 [arXiv:0905.2185 [hep-th]].
- [43] T. Kimura and S. Mizoguchi, *Chiral generations on intersecting 5-branes in heterotic string theory*, JHEP **1004** (2010) 028 [arXiv:0912.1334 [hep-th]].
- [44] H. Imazato, S. Mizoguchi and M. Yata, *Note on anomaly cancellation on $SO(32)$ heterotic 5-brane*, Mod. Phys. Lett. A **26** (2011) 1453 [arXiv:1010.1640 [hep-th]].
- [45] S. Mizoguchi and M. Yata, *Family unification via quasi-Nambu-Goldstone fermions in string theory*, PTEP **2013** (2013) 5, 053B01 [arXiv:1211.6135 [hep-th]].
- [46] D. Andriot, *Heterotic string from a higher dimensional perspective*, Nucl. Phys. B **855** (2012) 222 [arXiv:1102.1434 [hep-th]].
- [47] A. Flournoy, B. Wecht and B. Williams, *Constructing nongeometric vacua in string theory*, Nucl. Phys. B **706** (2005) 127 [hep-th/0404217].
- [48] P. Hořava and E. Witten, *Heterotic and type I string dynamics from eleven-dimensions*, Nucl. Phys. B **460** (1996) 506 [hep-th/9510209].
- [49] R. C. Myers, *Dielectric branes*, JHEP **9912** (1999) 022 [hep-th/9910053].